



REVERSO-MANUFACTURING INC.

MANUFACTURERS OF
FIREPLACE EQUIPMENT AND ACCESSORIES
790 Rowntree Dairy Road, Woodbridge, Ontario, Canada L4L 5V3
Tel: (905) 851-6701 Fax: (905) 851-8376
Website: www.reversomfg.com Email: reverso@rogers.com

These appliances have been tested and found to comply with the established standards for GAS-FIRED DIRECT VENT WALL FURNACES in CANADA and the U. S. A.



CAN1-2.17-M91, CAN/CGA I.R.#41 Section 2.12
ANSI-Z21.88a-1998/CSA2.33a 1998

INSTALLATION AND OPERATING INSTRUCTIONS

REVERSO "SUPREME" DIRECT VENT FIREPLACES

Multi Sided Direct Vent Fireplace

DVD-400 N (Natural Gas)

DVD-400 P (Propane)

For Your Safety

- If you smell gas:
1. Open windows.
 2. Don't touch electrical switches.
 3. Extinguish any open flame.
 4. Immediately call your gas supplier.

For Your Safety

Do not store or use gasoline or other flammable vapors and liquids in the vicinity of this or any other appliance.

WARNING: Improper installation, adjustment, alteration, service or maintenance can cause injury or property damage. Refer to this manual. For assistance or for additional information, consult a qualified installer, service agency or gas utility.

PLEASE KEEP THESE OPERATING INSTRUCTIONS FOR FUTURE REFERENCE

Rev. September 2005

IMPORTANT: SAVE THESE INSTRUCTIONS

To the new owner:

We at REVERSO MFG. LTD. are pleased that you have chosen one of our products for your home environment. We would like to take this opportunity to assure you that you have chosen a top quality product which will provide you with all the warmth and charm of a wood fireplace at the flick of a switch without any of the fuss and mess you would normally associate with lighting a wood fire.

You can now enjoy many years of clean burning, trouble free operation, as well as, high efficiency performance.

At REVERSO we have continued to deliver on our commitment to uncompromising quality and time proven reliability. We stand proudly behind our entire wood and gas burning products division, which are industry renowned by the brand name REVERSO "SUPREME".

The REVERSO "SUPREME", DVD400 series of products incorporates heavy gauge fireboxes, state of the art safety controls, and leak proof construction, all in an aesthetically pleasing finished package. When setup correctly, the gas effects flames and glowing embers bed offer what many people consider to be the most realistic simulated wood fire available today. Some of the logs even include burn out effects and knot holes which appear to have burned through and allow flames to lick out.

The logs employed in these units are manufactured with the latest space age ceramic fiber material which products the glowing effects commonly associated with a wood fire but, can be used over and over again for many years without showing any signs of wear.

All "REVERSO" products have been tested by Warnock Hersey to the national standards of the Canadian and American Gas Associations for both safety and efficiency.

The DVD400 series direct vent gas fireplaces are also the most versatile fireplaces available today, as they are approved for either sidewall or roof top venting and can be installed as either a freestanding 3-sided or 2-sided peninsula unit or as a corner unit (with available conversion kit).

Please take a moment now to acquaint yourself with these instructions and the many features of your new "REVERSO" gas fireplace.

GENERAL INFORMATION

All "REVERSO" gas-fired appliances must be installed in accordance with these instructions. Carefully read all of the instructions in this manual first. Consult the building authority having jurisdiction to determine the need for a permit prior to commencing the installation.

NOTE: Failure to follow these instructions could cause a malfunction of the fireplace which could result in death, serious bodily injury, and/or property damage. Failure to follow these instructions may also void your fire insurance and/or warranty.

FOR YOUR SAFETY

Follow these instructions, local codes and information in CAN / CGA B149 (.1 or .2) Installation Codes for Gas Burning Appliances and Equipment (in Canada) or (in the U.S.A.) follow local codes and/or the most current edition of the National Fuel Gas Code ANSI Z223.1.2

FOR SAFE INSTALLATION AND OPERATION OF YOUR "REVERSO" GAS FIREPLACE, PLEASE CAREFULLY READ THE FOLLOWING INFORMATION:

PREPARATION FOR INSTALLATION

Remove the packaging from the appliance, and check to make sure there is no damage. In the event damage is found, please report it to both the carrier and your dealer as soon as possible.

Before beginning, carefully check the glass door and the log set. Check to make sure there is no hidden damage to the logs or any other component of the appliance.

INSTALLATION INSTRUCTIONS

GENERAL

This appliance should be inspected annually, at least, by a professional service person. It is important that control compartments, circulating air passages and other components be kept clean and free from excessive lint from carpeting. Make sure the pilot is turned off before attempting to service this appliance.

It is a good practice to have all of your gas appliances inspected annually.

Due to high temperatures, the appliance should be located out of high traffic areas and away from furniture and draperies.

Children and adults should be alerted to hazards of high surface temperatures and should stay away to avoid burns or clothing ignition.

Young children should be carefully supervised when they are in the same room as the appliance.

Clothing or other flammable material should not be placed on or near the appliance.

Always connect this gas fireplace to an approved vent system and vent to the outside of the building envelope. Never vent to another room or inside a building.

Make sure that the vent is properly sized and is of adequate height to provide the proper draft.

Inspect the venting system annually for blockage and any signs of deterioration.

To prevent injury do not allow anyone who is unfamiliar with the operation to use the fireplace.

A faint odor and slight smoking will likely be noticed when the fireplace is first used. Open a window until the slight smoking stops.

Any glass removed for servicing must be replaced prior to operating the appliance.

Thoroughly dean the location that has been chosen for installation of the REVERSO fireplace.

Ensure that it is level before securing to the floor and connecting the gas.

Take a minute to plan out the best routes for the gas lines and the venting system.

Move the appliance into the exact location where it is going to be installed.

Under no circumstances should this appliance be modified.

Parts that have to be removed for servicing must be replaced prior to operating this appliance. Only parts supplied by REVERSO should be used in this appliance.

Never use solid fuels such as wood, paper, cardboard, coal, etc., in this appliance.

Always keep the area around these appliances clear of combustible materials, gasoline or other flammable vapors and liquids. These appliances should not be used as a drying rack for clothing or for hanging Christmas stockings or decorations.

SPECIFICATIONS: FOR REVERSO GAS PRODUCTS

GAS-FIRED VENTED WALL FURNACES (CAN/USA) DVD 400 (N) (P)

ALL MODELS ARE SUITABLE FOR INSTALLATION AS FREESTANDING NON-RECESSED FIREPLACES, FOR INSTALLATION IN BEDROOMS OR FOR ZERO CLEARANCE INSTALLATION WITH THE OPTIONAL ZERO CLEARANCE KIT'

SPECIFICATIONS

The above models have all been certified for use with either Natural or Propane gases, designated in the model number by the ^{suffix} N (Natural Gas) or P (Propane)

Both of these appliances draw all of their air for combustion from the outside of the dwelling through specially designed vent pipe.

FOR INSTALLATIONS ABOVE SEA LEVEL

In Canada, these appliances are certified for altitudes of 0- 4500'. In the U.S.A., the appliance must be derated 4°/% for every 1000' above 2000' elevations.

All models are equipped with a variable input gas control which allow reductions in input of approximately 25%, when heating requirements are lower.

ORIFICE SIZES:	NATURAL	PROPANE
MAIN BURNER:	#49 DMS	#57 DMS
FRONT BURNERS:	#55 DMS	#69 DMS
Manifold Press:(^{W.C.})	3.5"	10.0"
Mm. Manifold Press:	2.1"	7.8"
Max. Supply Press:	7.0"	13.0"
Min. Supply Press:	4.5"	10.8"
Max. BTUH Input:	24,000	24,000
Min. BTUH Input:	18,000	18,000

STEADY STATE EFFICIENCY: (With Minimum Vent Attached)

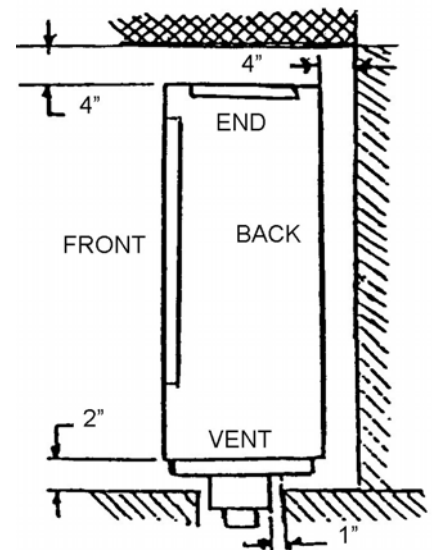
FAN OFF:	66%	66%
FAN ON:	—	—

DIMENSIONS:

Front Width:	36"
Height:	34"
Depth:	18"

Shipping Weight: 110 lbs.

CLEARANCES TO COMBUSTIBLES:	Vent:	1"
(Corner installation with, back closed)	Back:	4"
	Top:	2"
	Floor:	0"
	Above:	6"



TWO SIDED MODEL - CLEARANCES TO COMBUSTIBLES:

As above with 4" clearance to the end of the appliance

Always observe the approved clearance to combustible materials.

ELECTRICAL REQUIREMENTS

No external electrical power supply is required to operate the REVERSO "SUPREME" DVD400 series if these models have a Millivolt gas control which uses the pilot flame to generate enough electricity to operate the main burner whenever the manual switch provided is on.

The DVD400 N/P models may also have a fan delay limit switch mounted in the control compartment of the appliance. This switch is designed to delay the operation of the fan until sufficient heat has built up, to avoid uncomfortable drafts and to hold the fan on for several minutes after the burners have shut-off, extracting all of the usable heat.

When supplied with the optional circulating fan, the appliance does come fully equipped with a 120 volt household plug which will supply electrical power for the air circulation fan.

When connected to 120 volts, the appliance must be grounded in accordance with local codes, with the current version of CSA C22.1 (in Canada) or the National Electrical Code ANSI/NFPA 70.

Circulation fan: 120V / 60 hz - Variable speed fan.

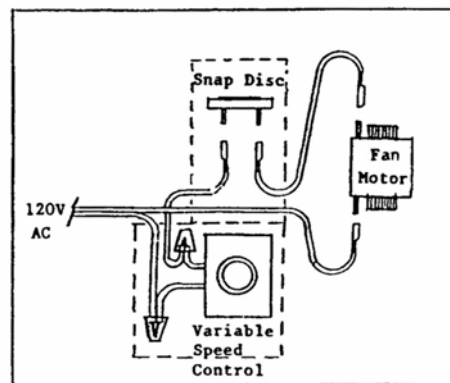
NOTE: Operation of the fan increases the efficiency and the heat output of the appliance.

LOCATIONS

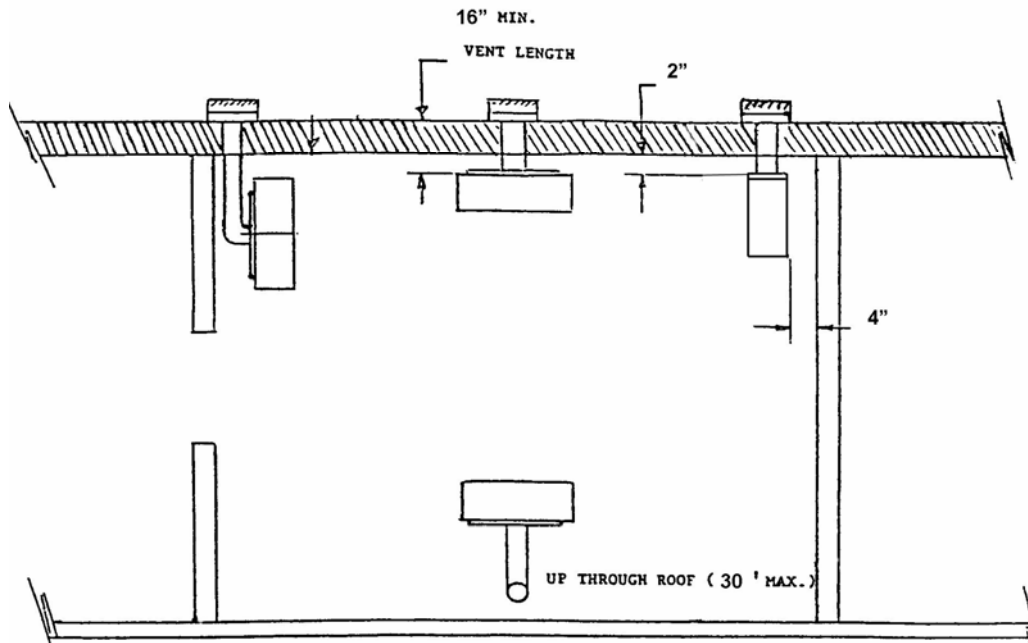
As noted earlier, these appliances are approved for bedroom installations.

They may be installed on any flat, hard surface combustible or otherwise. They can be located within the allowable clearances to combustibles against the wall, in a corner or out in the center of the room if desired. (See diagram # 1)

Don't forget to try to line up the center point of the flue with an open joist space above the unit, when planning to vent vertically.



LOCATIONS DIAGRAM #1



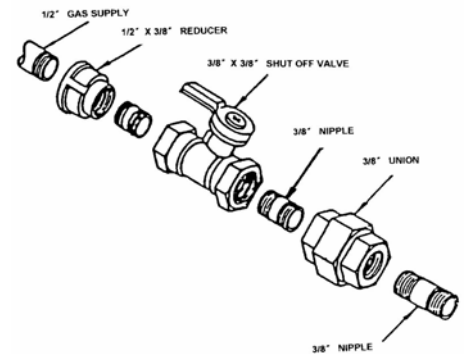
GAS LINE CONNECTION

WARNING: Only persons licensed to work with gas piping may make the necessary gas connections to this appliance.

The appliance is provided with an opening on both sides of the control compartment. A 3/8" gas supply pipe must be brought near this inlet hole, from either the left or right hand side. It is recommended that a union be provided inside or close to the control compartment to facilitate easier servicing.

NOTE: The gas line connection may be made using 3/8" copper tubing or an approved flex connector. Since some municipalities have additional local codes, it is always best to consult your local authorities and the CAN/CGA-B 149 (1 or 2) Installation Code.

For U.S.A. gas installations follow either local codes or the current edition of the National Fuel Gas Code ANZI.Z223.1



GAS PIPE TESTING

The appliance and its shutoff valves must be disconnected from the gas supply piping system during any pressure testing where the pressure exceeds 1/2 PSIG (3.45 kpa).

Always check for gas leaks with a soap and water solution, after completing the required pressure test.

NEVER USE AN OPEN FLAME FOR LEAK TESTING.

When using copper or flex connectors use only fittings approved for gas connections. The gas control inlet is 3/8" NPT, therefore the 1/2" rigid gas line must be reduced to 3/8" NPT. A typical gas line installation layout for rigid pipe is shown on the previous page.

VENTING (COAXIAL 8" AIR INTAKE & 4" EXHAUST)

Kits are available for venting either through the sidewall or vertically through the roof.

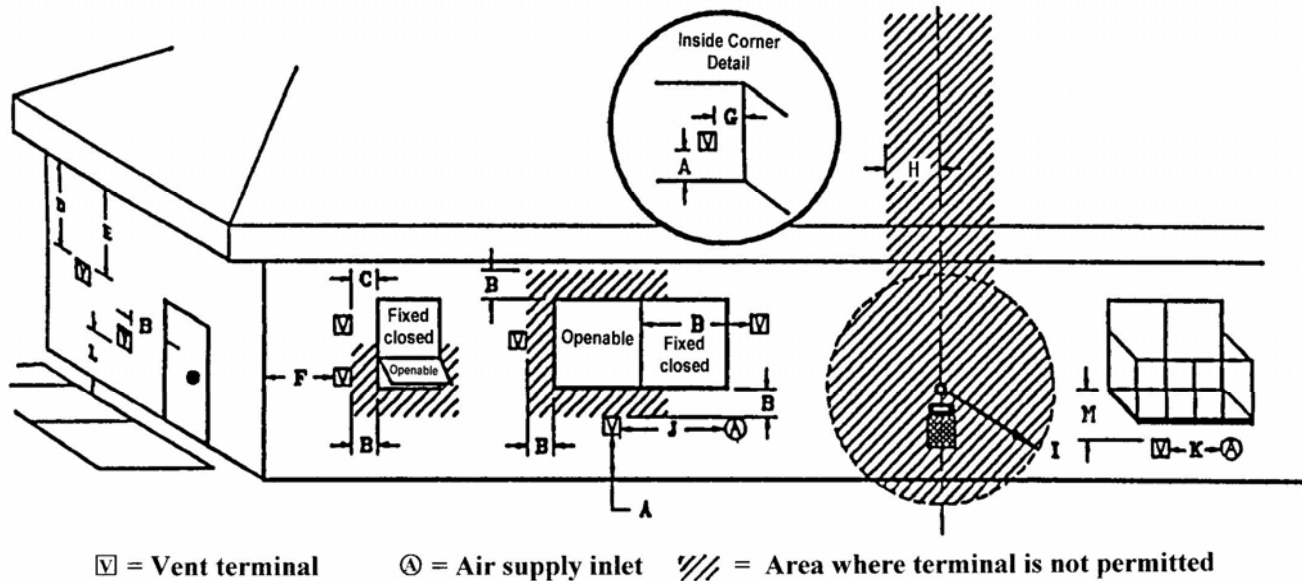
SIDEWALL VENTING

THIS APPLIANCE MUST BE INSTALLED WITH A MINIMUM VERTICAL LENGTH OF 4' TO THE FIRST 90 DEGREE ELBOW. WITH THIS MINIMUM VERTICAL RISE, HORIZONTAL RUNS OF UP TO 20' ARE PERMITTED TO REACH THE OUTSIDE VENT TERMINATION.

FOLLOW THE VENTING INSTRUCTIONS ON THE FOLLOWING PAGES PRECISELY BEFORE BEGINNING THE INSTALLATION, TAKING CARE TO ENSURE AN APPROPRIATE OUTSIDE LOCATION FOR THE VENT TERMINATION CAN BE ACCOMMODATED.

ALSO, TAKE CARE TO REVIEW THE DIAGRAM ON THE FOLLOWING PAGE WHICH OUTLINES LOCATION LIMITATIONS GOVERNED BY NATIONAL CODE.

Since the Direct Vat is an unpressurized system, it will be sensitive to local conditions such as elevation, wind conditions, vent location and fuel type utilized. This will affect the overall appearance of the gas flame.



A = Clearance above grade, veranda, porch, deck, or balcony
[*12 inches (30mm) minimum]

B = Clearance to window or door that may be opened
[*12 Inches (30 cm) minimum]

C = Clearance to permanently closed window [minimum 12 Inches (30 cm)
recommended to prevent condensation on window]

D = Vertical clearance to ventilated soffit located above the terminal within a
horizontal distance of 2 feet (60 cm) from the centre -line Of the
Terminal [18 Inches (46 cm) minimum]

E = Clearance to unventilated soffit [12 Inches (30 cm) minimum]

F = Clearance to outside corner [12 Inches minimum]

G = Clearance to inside corner [12 inches minimum]

H = * Not to be Installed above a meter/regulator assembly within 3 feet (90
cm) horizontally from the centre line of the regulator

I = Clearance to service regulator vent outlet [* 6 feet (1.8 m) Minimum]

J = Clearance to non-mechanical air supply inlet to building or the
combustion air inlet to any other appliance [12 Inches (30 cm)
minimum]

K = Clearance to a mechanical air supply Inlet [* 6 feet (1.8 m) minimum]

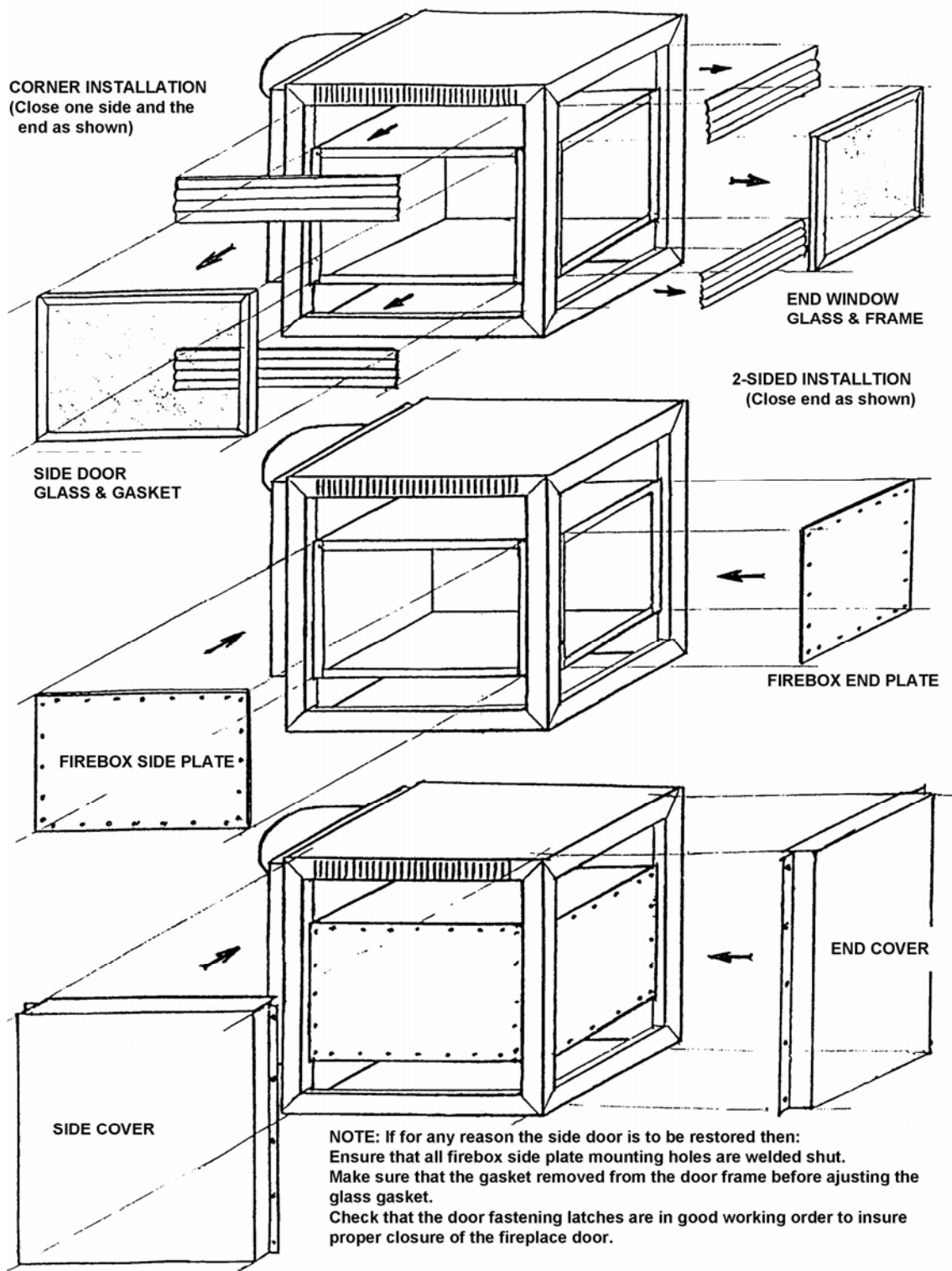
L = ***Clearance above paved side-walk or paved driveway located on
public property [* 7 feet (2.1 m) minimum]

M = Clearance under veranda, porch, deck, or balcony [*12 Inches (30 cm)
minimum **]

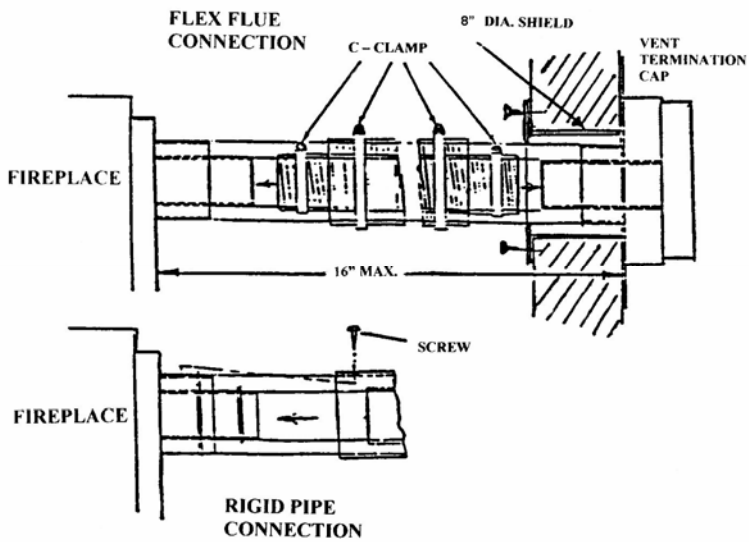
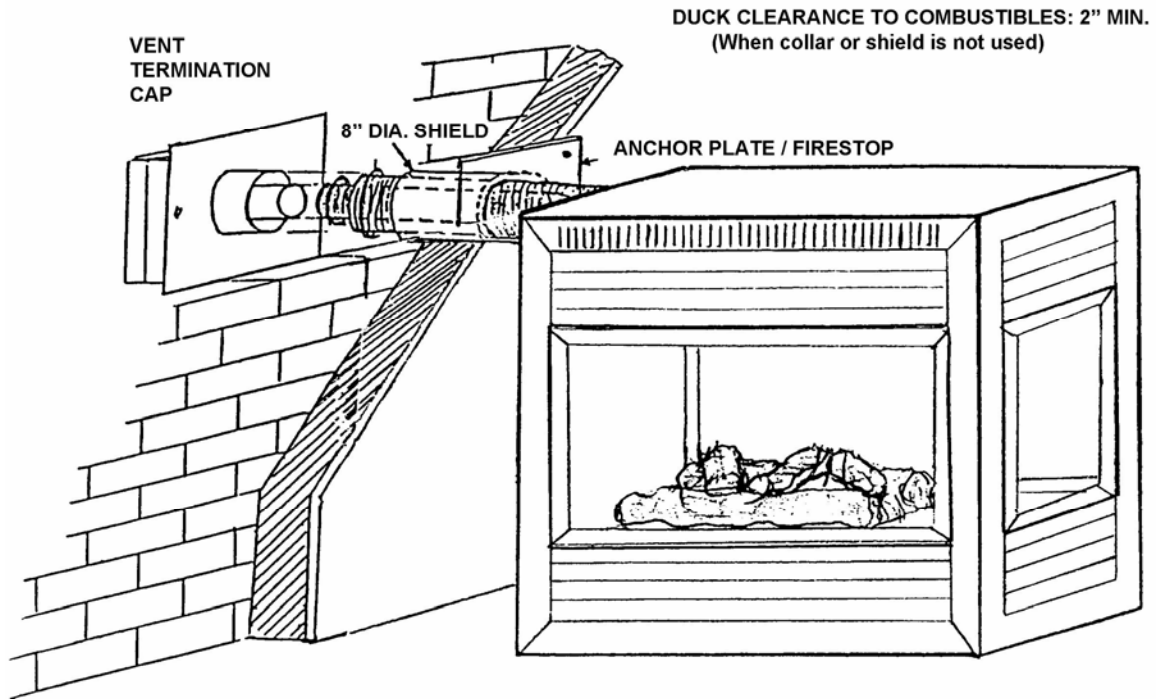
*** A vent shall not terminate directly above a side-walk or paved driveway which is located between two single family dwellings and serves both dwellings *

** Only permitted if veranda, porch, deck, or balcony is fully open on a minimum of 2 sides beneath the floor *

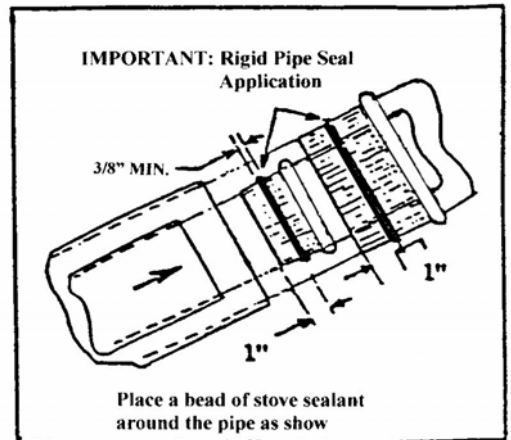
* As specified in CGA B149 installation Codes (1991) Note: local Codes or Regulations may require different clearances



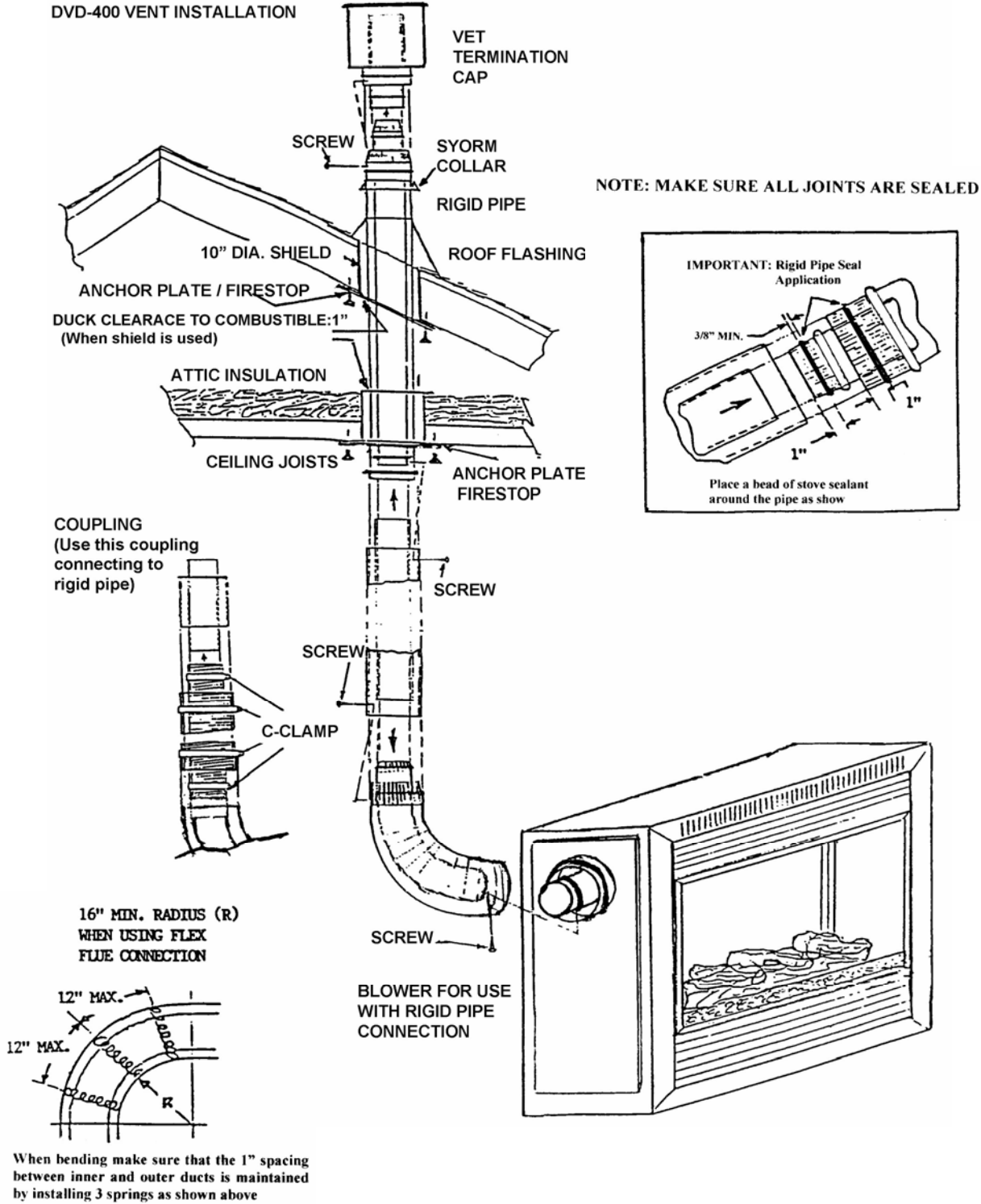
DVD-400 VENT INSTALLATION

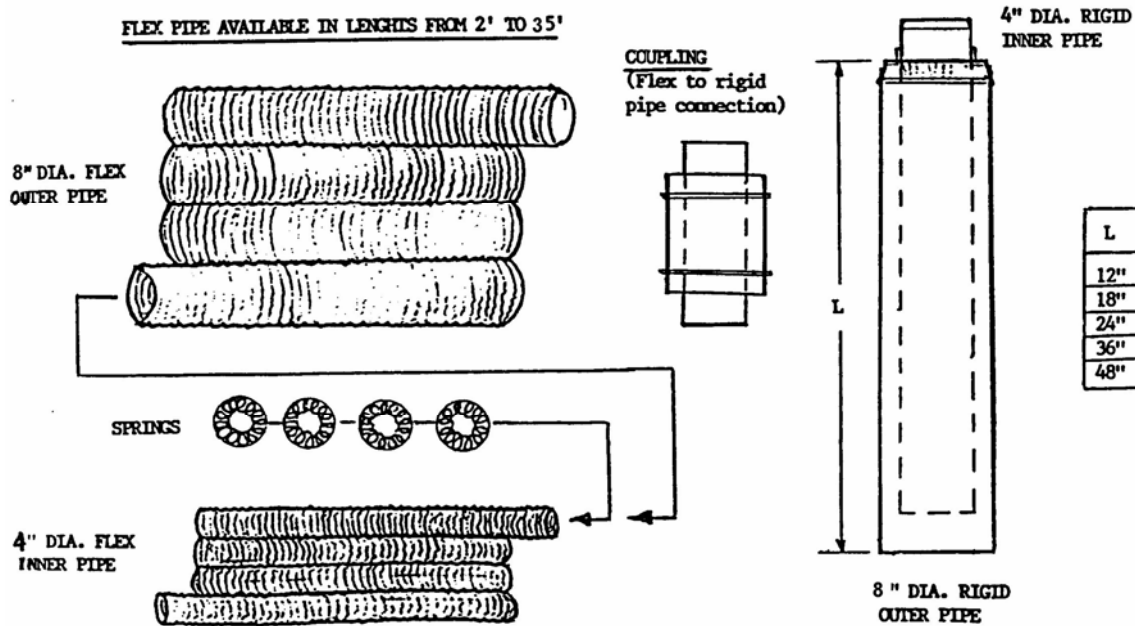
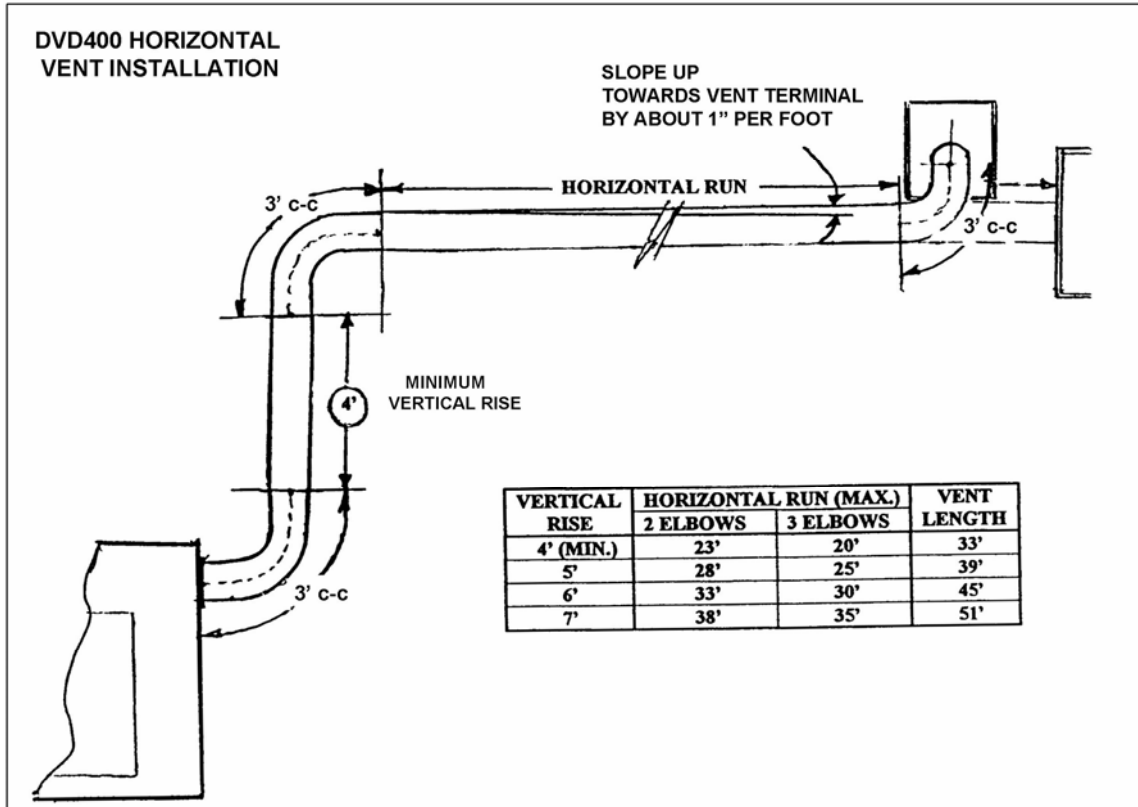


NOTE: MAKE SURE ALL JOINTS ARE SEALED

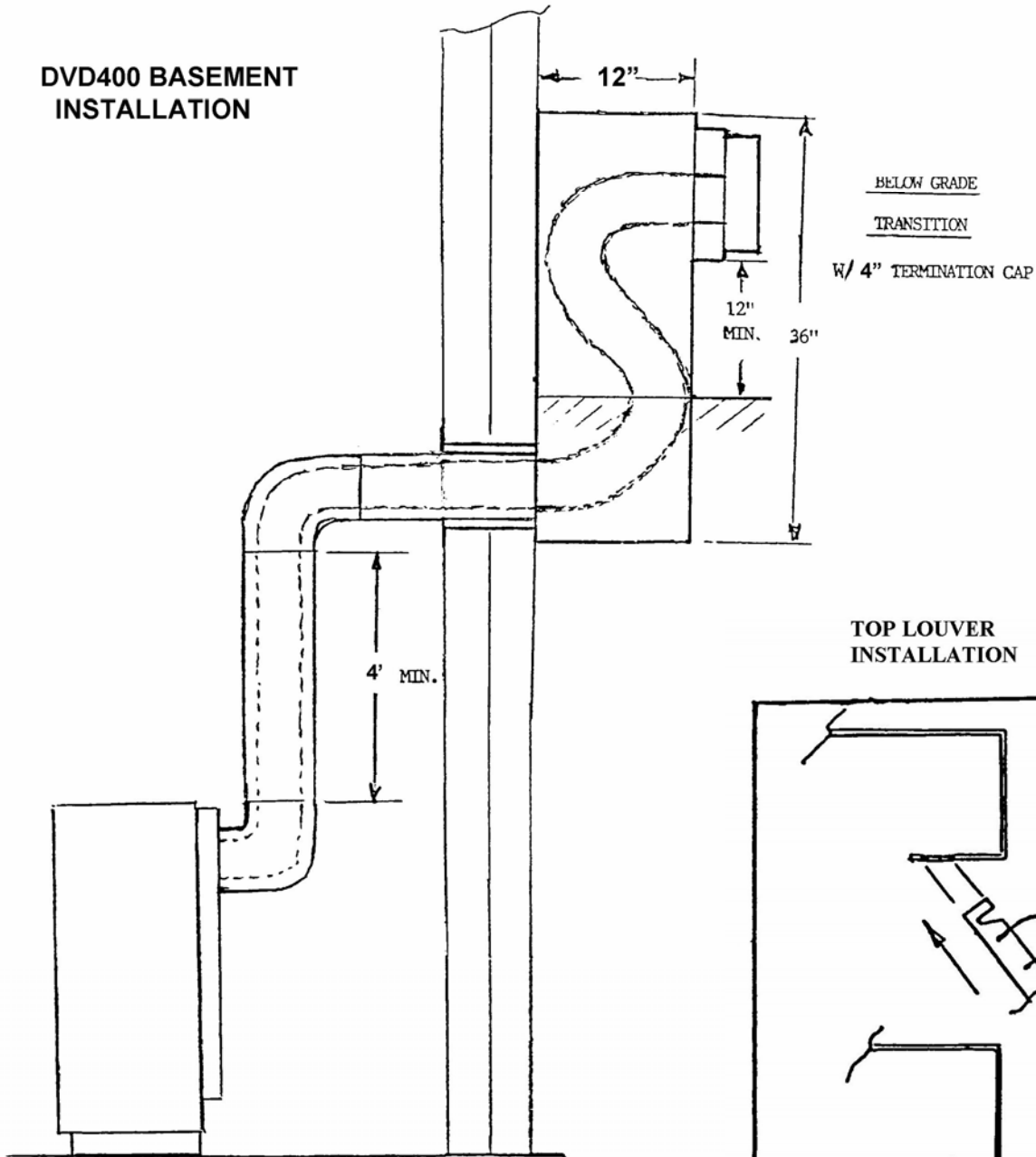


DVD-400 VENT INSTALLATION

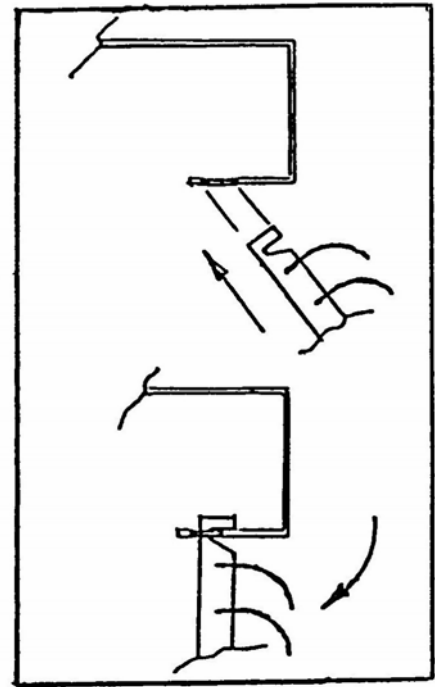




**DVD400 BASEMENT
INSTALLATION**



**TOP LOUVER
INSTALLATION**



INSTALLATION OF THE LOG SET

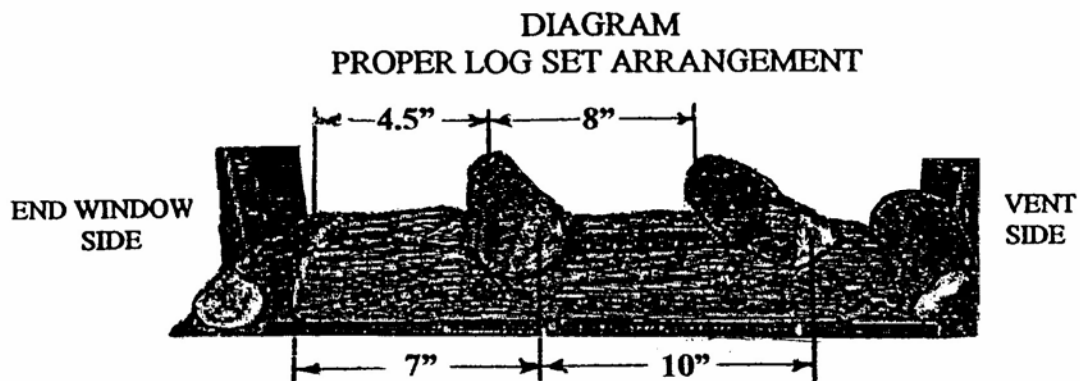
The log set (2 long fiber logs and 4 shorter ceramic logs) for the DVD400 is included in the master carton.

Check to ensure that there is no damage to any of the logs.

It is very important to install these logs in their proper position to ensure safe operating conditions.

Make sure that the logs are not placed directly in the burner flame. SEE THE FOLLOWING LOG PLACEMENT DIAGRAM :

WARNING : Dangerous operating conditions may occur if these logs are not positioned in their certified locations.



1. Open the front (vent on right hand side) door by lifting the tabs on the easy-latch door fasteners. Then, while holding the door, unfasten the latches. Swing the door down gently until it rests on a supporting surface.
2. Remove the logs carefully from their packing.
3. Place the bottom fiber logs on the log holding surface beside the main burner. Make sure that the notch at the end of the log clears the front burner .
4. Place the four top logs as shown in the diagram above.
Slight repositioning of the logs may be necessary after the appliance is turned on and the exact flame location is visible.

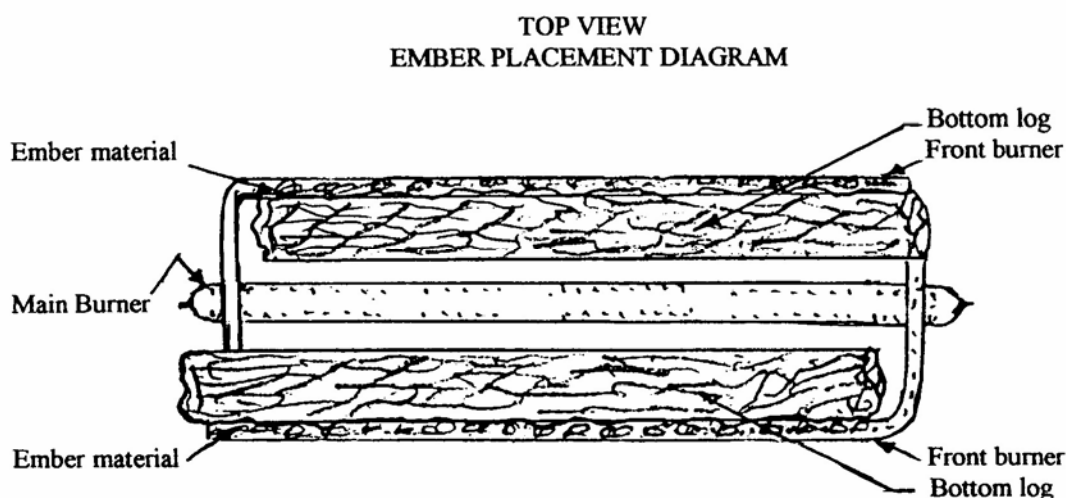
INSTALLATION OF THE GLOWING EMBERS

CAUTION : Use only the amount (Log for each burner) and type of ember material supplied for this appliance. The use of other materials on the burners can create dangerous conditions.

If over time, through cleaning and servicing, these embers require replacement please contact your nearest REVERSO dealer for an approved ember replacement kit.

1. Gently remove the ember material from the plastic bag(s).
2. Spread small pieces evenly along the length of the bottom log, behind the front burner.
Repeat this procedure for the other front burner.
3. Carefully avoid any clumping or large buildups and do not place on top of burner holes.
4. **DO NOT** place embers on the main burner.
5. Upon the first light up watch for smooth and fast ignition to all burner ports. If a long delay is observed then : a) First, wait for the appliance to cool down. b) Open the door(s) of the appliance. c) Carefully reposition the embers at the point of the delay. d) Check to ensure that no burner ports are plugged solid.

CAUTION : NEVER OPERATE THIS APPLIANCE WITH THE DOOR(S) OPEN



CARE OF YOUR GLASS DOOR ASSEMBLY

It will be necessary to clean the glass periodically.

During a cold start up condensation will sometimes form on the glass.

This is a normal condition with all gas fireplaces and stoves.

However, sometimes this condensation can allow dust and lint to cling to the glass surface.

Also, sometimes the initial paint curing of the appliance can leave behind a slight film on the glass. This is only a temporary problem.

It is therefore recommended that the glass be cleaned initially after about two weeks of use.

After that, depending upon the amount of use, cleaning should be required no more than two or three times per season. To clean the door, use a mild cleaner (i.e. Windex, Fantastic) and a soft cloth. Abrasive cleaners will damage the protective coating.

ROUTINE MAINTENANCE WARNING:

Improper installation, adjustment, alteration, servicing or maintenance can result in personal

injury and property damage. Always refer to this manual for normal maintenance requirements. For further assistance or additional information consult a qualified gas installer; your REVERSO MFG. dealer or your local gas supplier.

This appliance must not be operated if it or the gas controls have been under water. Contact a qualified gas technician for service before attempting to operate.

This appliance should be serviced regularly, to ensure continuing safety and efficiency contact a qualified technician at least annually.

For cleaning, turn the gas control knob to the "OFF" position. This will extinguish the pilot flame. Wait at least five (5) minutes before cleaning.

NOTE: This appliance is equipped with Neo Ceram Glass which can only be broken by a significant impact or misuse.

FOR CLEANING THE INSIDE OF THE FIREBOX

Gently remove the embers and place on a piece of paper towel until ready to replace.

Remove the logs carefully from the combustion chamber and vacuum the burner compartment thoroughly. Vacuum any dust on the logs and remove any lint from the main burner and pilot burner.

After carefully replacing the logs and ember in their correct positions, and resealing the door, relight the pilot following the instructions on the attached label, and turn on the main burner.

1. Check to ensure that all burner ports are lit and burning properly.
2. Check to ensure that the right branch of the pilot flame is engulfing the thermocouple tip, while the left branch of the pilot flame is engulfing the thermopile and the other branch is long enough to light the rear main burners.
3. Check to ensure that the main burner lights instantly when the on switch is turned on and that the flame carries across to the front burner fairly evenly.

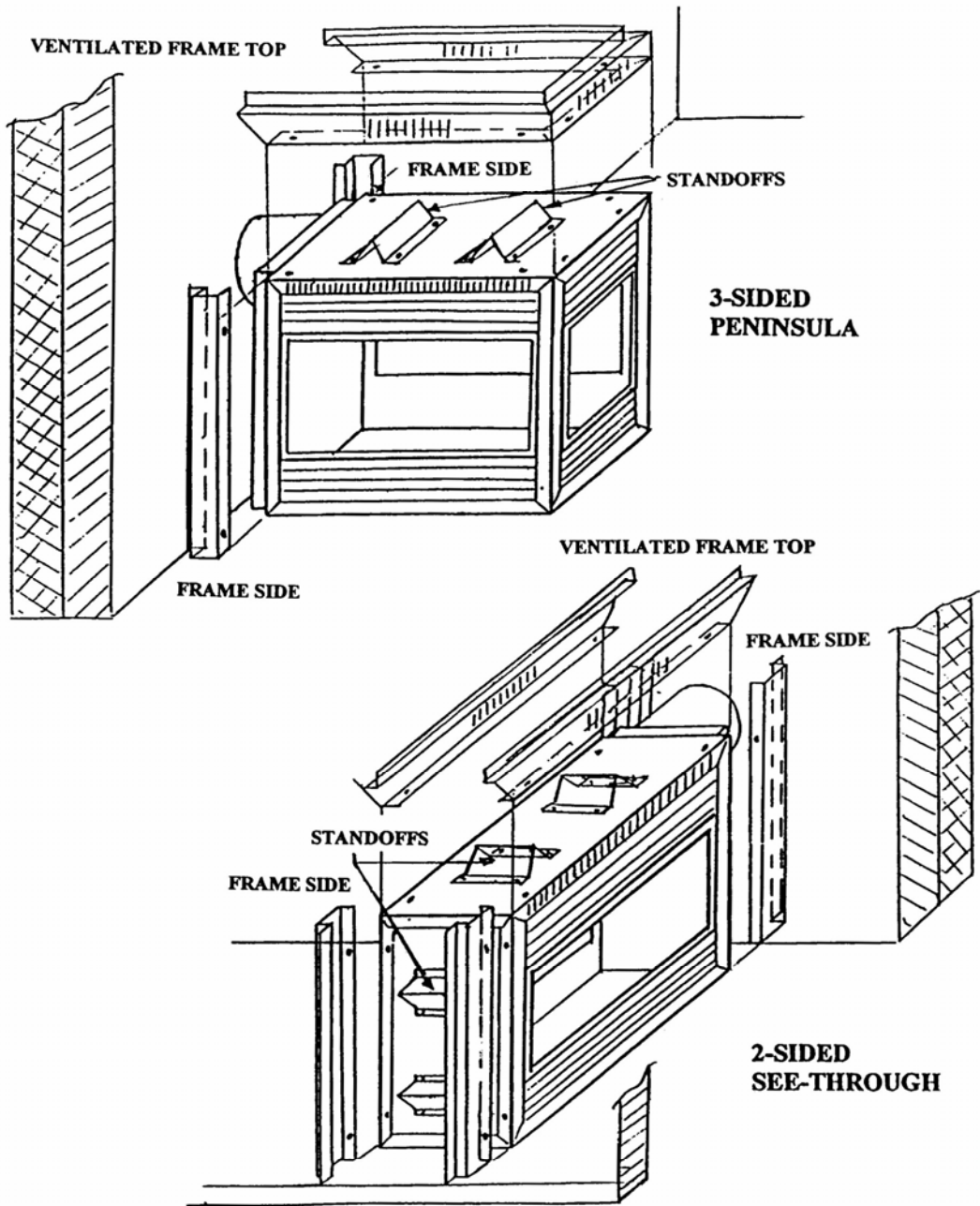
REVERSO DVD400 OPTIONS

- 1- FIREFLICK REMOTE CONTROL KIT**
- 2 -WALL THERMOSTAT**
- 3 -VARIABLE SPEED BLOWER**
- 4- ROOF OR SIDEWALL VENT TERMINAL**
- 5- PROPANE OR NATURAL GAS CONTROLS**
- 6 -ZERO CLEARANCE KIT**
- 7- GOLD PLATED TRIM KIT**
- 8- GOLD PLATED DOOR KIT**

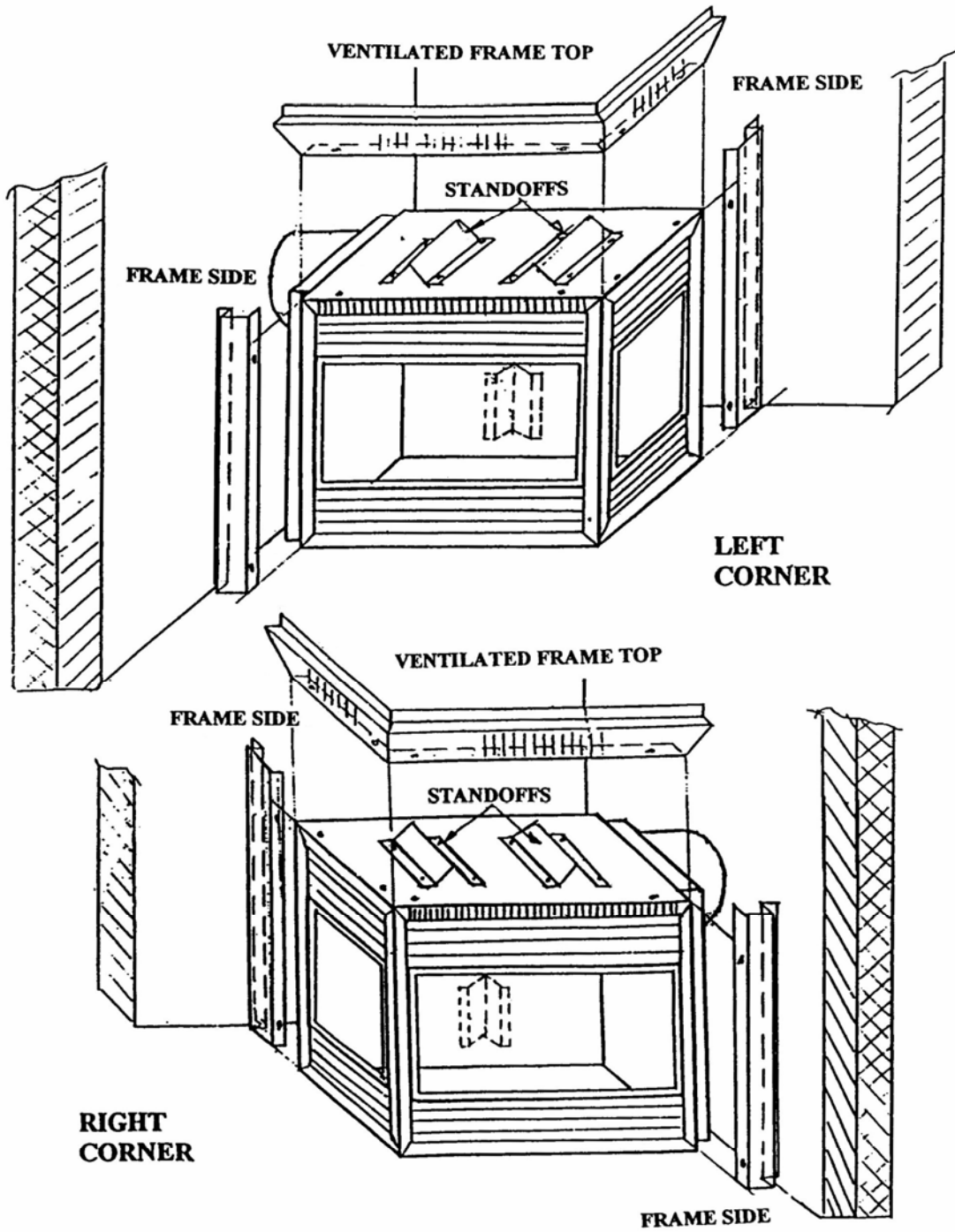
REPLACEMENT PARTS LIST

- 1- PILOTASSEMBLY**
- 2 - PIEZO IGNITOR**
- 3 - FRONT BURNER**
- 4 - MAIN BURNER**
- 5 - TOP LOG**
- 6 - BOTTOM LOG**
- 7 - GAS VALVE**
- 8 - DOOR GLASS**
- 9 - END GLASS**
- 10 - BLOWER**
- 11 - SPEED CONTROL**

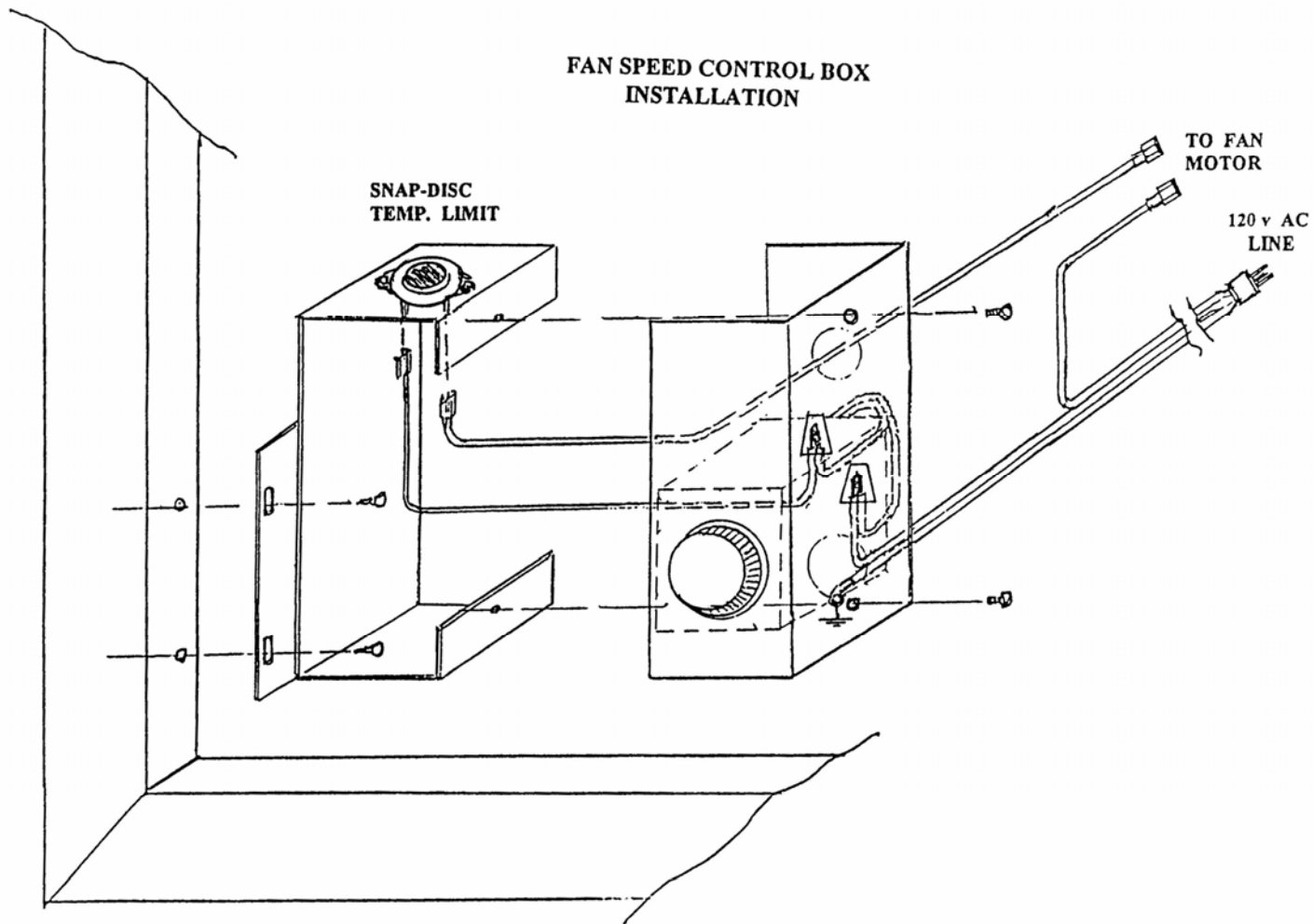
For repairs contact a licensed, recognized service agency. For spare parts contact your authorized REVERSO dealer.



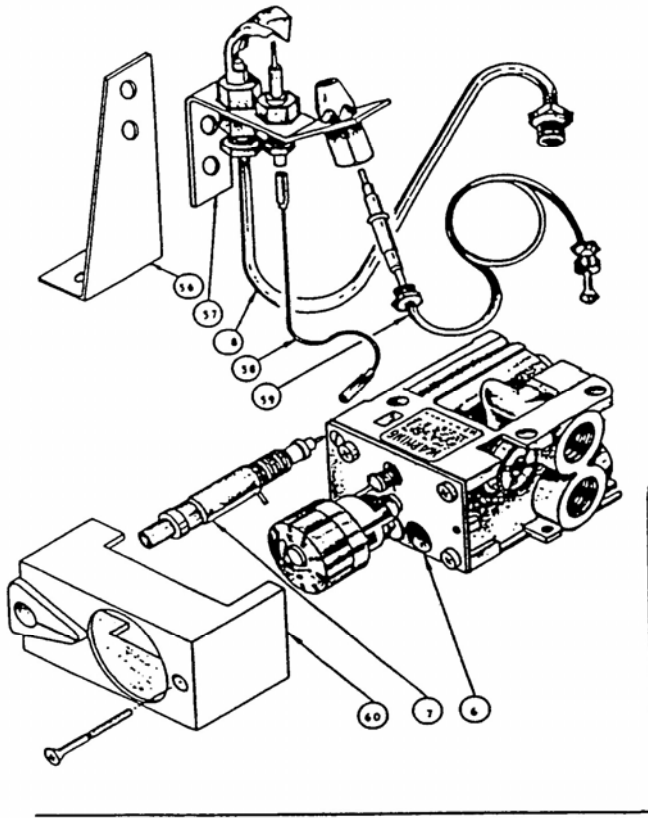
NOTE : BEFORE INSTALLATION OF THE VENTILATED FRAME
MAKE SURE THAT THE FIREPLACE HAS BEEN MODIFIED
FOR SEE-THROUGH INSTALLATION AS SHOWN ON PAGE 11.



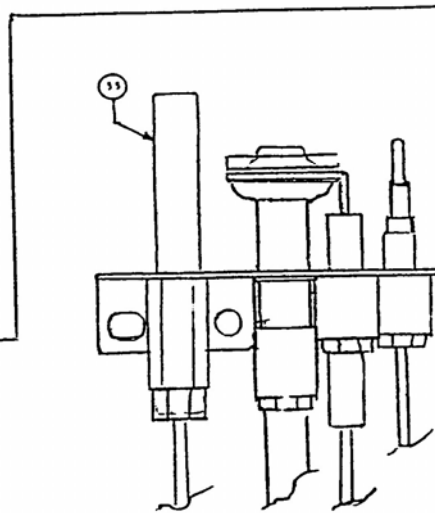
NOTE : BEFORE INSTALLATION OF THE VENTILATED FRAME
MAKE SURE THAT THE FIREPLACE HAS BEEN MODIFIED
FOR CORNER INSTALLATION AS SHOWN ON PAGE 11.



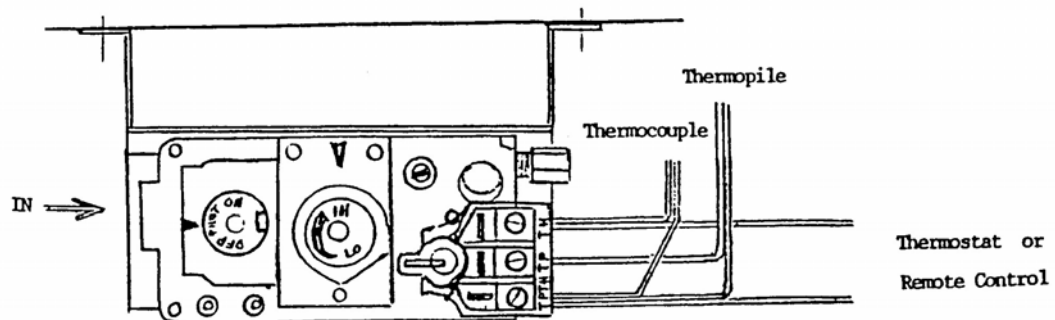
STD. VALVE WITH IGNITOR



- 6 - GAS VALVE
- 7 - IGNITOR
- 8 - .250 - O.D. ALUMINUM TUBE
- 55 - THERMOPILE
- 56 - PILOT MOUNTING BRACKET
- 57 - PILOT IGNITOR ASSEMBLY
- 58 - IGNITOR LEAD
- 59 - THERMOCOUPLE ASSEMBLY
- 60 - GAS VALVE COVER

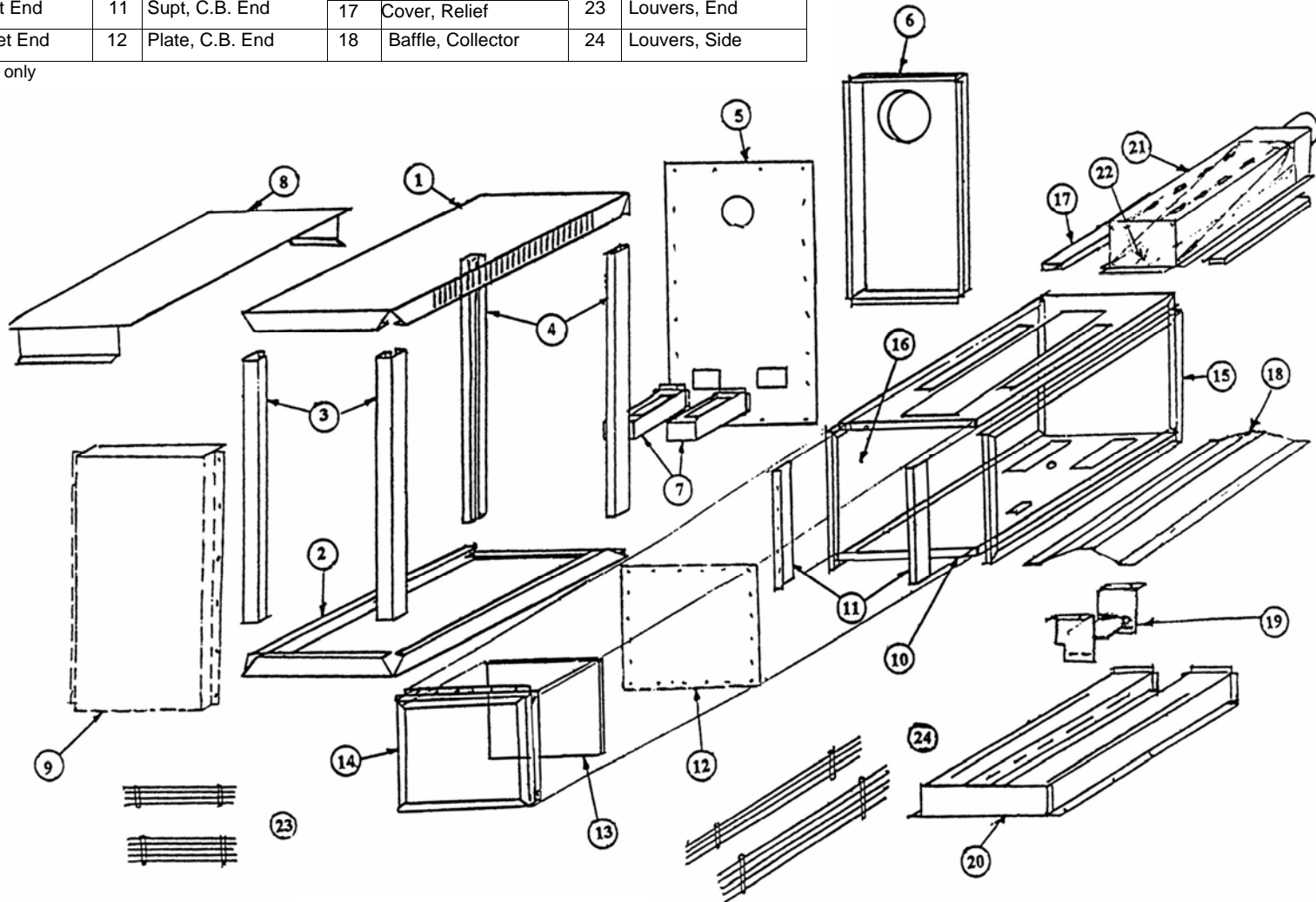


MILLIVOLT VALVE (OPTIONAL)



#	ITEM	#	ITEM	#	ITEM	#	ITEM
1	Top, Frame	7	Transition Box	13	Glass End	9	Valve Bracket
2	Btm, frame	8	Heat Shield	14	Window, End	20	Distributor
3	Supt Frame	9	Cover, End *	15	Door Side	21	Exhaust Hood
4	Supt. Inlet End	10	Combustion Box	16	Glass, Side Door	22	Heat Exchanger
5	Plate, Inlet End	11	Supt, C.B. End	17	Cover, Relief	23	Louvers, End
6	Cover, Inlet End	12	Plate, C.B. End	18	Baffle, Collector	24	Louvers, Side

* 2-sided unit only



DVD-400 FIREPLACCE

LIGHTING INSTRUCTIONS

FOR YOUR SAFETY READ BEFORE OPERATING

WARNING: IF YOU DO NOT FOLLOW THESE INSTRUCTIONS EXACTLY,
A FIRE OR EXPLOSION MAY RESULT CAUSING PROPERTY DAMAGE,
PERSONAL INJURY OR LOSS OF LIFE.

- A. THIS APPLIANCE IS EQUIPPED WITH A PILOT WHICH MUST BE LIT FOLLOWING THESE INSTRUCTIONS EXACTLY.
B. BEFORE OPERATING SMELL ALL AROUND THE APPLIANCE AREA FOR GAS AND NEXT TO THE FLOOR BECAUSE SOME GAS IS HEAVIER THAN AIR AND WILL SETTLE ON THE FLOOR.

WHAT TO DO IF YOU SMELL GAS

- TURN OFF ALL GAS TO THE APPLIANCE.
 - OPEN WINDOWS.
 - DO NOT TRY TO LIGHT ANY OTHER APPLIANCE.
 - DO NOT TOUCH ANY ELECTRIC SWITCH; DO NOT USE ANY PHONE IN YOUR BUILDING.
 - IMMEDIATELY CALL YOUR GAS SUPPLIER FROM A NEIGHBOUR'S PHONE FOLLOW THE GAS SUPPLIER'S INSTRUCTIONS.
 - IF YOU CANNOT REACH YOUR GAS SUPPLIER, CALL THE FIRE DEPARTMENT.
- C. USE ONLY YOUR HAND TO TURN THE GAS CONTROL KNOB. NEVER USE TOOLS. IF THE KNOB WILL NOT PUSH IN OR TURN BY HAND DO NOT TRY TO REPAIR IT. CALL A QUALIFIED SERVICE TECHNICIAN. FORCE OR ATTEMPTED REPAIR MAY RESULT IN A FIRE OR EXPLOSION.
- D. DO NOT USE THIS APPLIANCE IF ANY PART HAS BEEN UNDER WATER IMMEDIATELY CALL A QUALIFIED SERVICE TECHNICIAN TO INSPECT THE APPLIANCE AND REPLACE ANY PART OF THE CONTROL SYSTEM AND ANY GAS CONTROL WHICH HAS BEEN UNDER WATER.

LIGHTING AND RELIGHTING INSTRUCTIONS

STD. VALVE WITH IGNITOR

WARNING: THE GAS VALVE HAS AN INTERLOCK DEVICE WHICH WILL NOT ALLOW THE PILOT BURNER TO BE LIT UNTIL THE THERMOCOUPLE HAS COOLED. ALLOW APPROXIMATELY 60 SECONDS FOR THERMOCOUPLE TO COOL I. **STOP!** READ THE ABOVE SAFETY INFORMATION ON THIS LABEL

2. TURN OFF ALL ELECTRIC POWER TO THE APPLIANCE.
3. TURN GAS KNOB CLOCKWISE TO OFF.
4. WAIT FIVE (5) MINUTES TO CLEAR OUT ANY GAS. IF YOU SMELL GAS INCLUDING NEAR THE FLOOR, STOP!
FOLLOW "B" IN THE ABOVE SAFETY INFORMATION ON THIS LABEL IF YOU DON'T SMELL GAS TO THE NEXT STEP.
5. FIND PILOT LOCATED IN FRONT OF THE BURNER.
6. TURN GAS KNOB COUNTER-CLOCKWISE TO PILOT.
7. DEPRESS AND HOLD GAS KNOB WHILE LIGHTING THE PILOT WITH THE PUSH BUTTON IGNITOR KEEP KNOB FULLY DEPRESSED FOR ONE MINUTE, THEN RELEASE IF PILOT DOES NOT CONTINUE TO BURN REPEAT STEPS 3 THROUGH 6.
8. WITH PILOT LIT TURN GAS KNOB COUNTER-CLOCKWISE TO DESIRED TEMPERATURE SETTING
9. TURN ON ALL ELECTRIC POWER TO THE APPLIANCE.

MILLIVOLT VALVE

IMPORTANT.: GAS VALVE KNOB CANNOT BE TURNED FROM "PILOT" TO "OFF" UNLESS THE KNOB IS PARTIALLY DEPRESSED.

1. TURN OFF BURNER "ON/OFF" SWITCH (MOUNTED ON THE WALL)
2. TURN GAS CONTROL KNOB SO INDICATOR POINTS TO "OFF" POSITION AND ALLOW 5 MINUTES FOR ANY GAS IN THE COMBUSTION CHAMBER TO ESCAPE
3. TURN GAS CONTROL KNOB COUNTER-CLOCKWISE SO INDICATOR POINTS TO THE "PILOT" POSITION. DEPRESS FULLY THE GAS CONTROL KNOB AND WHILE CONTINUING TO HOLD THE KNOB DOWN PUSH THE IGNITOR BUTTON SEVERAL TIMES, OR UNTIL THE PILOT LIGHTS.
AFTER APPROXIMATELY ONE (1) MINUTE RELEASE THE GAS CONTROL KNOB. THE PILOT FLAME SHOULD REMAIN LIT. IF IT DOES NOT REMAIN LIT, REPEAT THIS OPERATION AND ALLOW A LONGER PERIOD BEFORE RELEASING THE GAS CONTROL KNOB.
4. WHEN THE PILOT HAS BEEN IGNITED, TURN THE GAS CONTROL KNOB FURTHER COUNTER-CLOCKWISE TO THE "ON" POSITION.
5. TURN THE "ON/OFF" SWITCH TO "ON" AND THE BURNER SHOULD IGNITE.

NOTE: IF THE BURNER DOES NOT IGNITE AND THE PILOT IS STILL LIT, TURN THE GAS CONTROL KNOB TO "OFF" AND CALL A QUALIFIED SERVICE REPRESENTATIVE.

SHUT DOWN INSTRUCTIONS

1. TURN WALL ON/OFF SWITCH TO "OFF" (OR TURN DOWN THERMOSTAT IF ONE IS USED).
2. TURN THE GAS CONTROL KNOB TO THE "OFF" POSITION.

FIVE YEAR LIMITED WARRANTY

Reverso Manufacturing Limited warrants to the original purchaser that the "Supreme" gas fireplace models DVD400 N/P will be free from defects in materials and workmanship, under normal use and service, for a period of five (5) years from the date of purchase. This warranty is non-transferable and is made to the original retail purchaser only.

These warranties shall be void and have no effect if the heater is not properly installed and/or operated in accordance with the installation/operation instructions manual provided with this product.

WARRANTY LIMITATIONS:

1. During the first year of the limited warranty Reverso Manufacturing Limited will provide replacement for parts found to be defective in workmanship (provided such parts have been subjected to normal conditions of use and service). Such replacement parts shall be provided at no charge and REVERSO will also pay for reasonable labor costs for repair work. All such repairs must be approved by an authorized company official before any work commences. Labor costs to be borne by Reverso must not exceed the retail price of the part replaced.
2. During the second through fifth years of the limited warranty, Reverso Manufacturing Limited will provide replacement parts at no charge, except for those parts listed below. Reverso shall not be responsible for any labor, installation, construction, transportation or other related costs.

The following parts are only guaranteed for the first year of the warranty: Burner Assembly, Valve, Controls, and Blower Assembly.

This warranty may not be extended by our representatives in any manner whatsoever. This warranty does not apply to components used in conjunction with the installation of this product.

The remedy for damages as the result of any defects in the product which have been warranted herein is limited to replacement parts and does not include any incidental damages or expenses sustained in connection with the product, including damages to property.

FOR U.S.A. ONLY:

Some states do not allow limitations on how long an implied warranty lasts, so the above limitation may not apply to you.

THE REMEDY FOR DAMAGES AS THE RESULT OF ANY DEFECTS IN THE PRODUCT WHICH HAVE BEEN WARRANTED HEREIN IS LIMITED TO REPLACEMENT PARTS AND DOES NOT INCLUDE ANY INCIDENTAL DAMAGES OR EXPENSES SUSTAINED IN CONNECTION WITH THE PRODUCT, INCLUDING DAMAGES TO PROPERTY.

Some states do not allow the exclusion or limitation of incidental or consequential damages, so the above limitation or exclusion may not apply to you. This warranty gives you specific legal rights and you may also have other rights which vary from state to state.