



REVERSO-MANUFACTURING INC.

MANUFACTURERS OF

FIREPLACE EQUIPMENT AND ACCESSORIES

790 Rowntree Dairy Road, Woodbridge, Ontario, Canada L4L 5V3

Tel: (905) 851-6701 Fax: (905) 851-8376

Website: www.reversomfg.com Email: reverso@rogers.com

INSTALLATION AND OPERATING INSTRUCTIONS

THE REVERSE SUPREME SERIES

GAS FIREPLACE INSERT MODEL NO: RGI-25

&

FREESTANDING ROOM HEATER MODEL NO: RGF-25



For Your Safety

If you smell gas:

1. Open windows.
2. Don't touch electrical switches.
3. Extinguish any open flame.
4. Immediately call your gas supplier.

For Your Safety

Do not store or use gasoline or other flammable vapors and liquids in the vicinity of this or any other appliance.

PLEASE KEEP THESE OPERATING INSTRUCTIONS FOR FUTURE REFERENCE

Rev. October 2005

IMPORTANT: SAVE THESE INSTRUCTIONS

To the new owner:

We would like to take this opportunity to thank and assure you, that your decision to purchase a highly efficient, clean burning, "SUPREME" series gas fireplace by Reverso, was a good choice. These hand crafted appliances have been designed to provide you with all the warmth and charm of a traditional fireplace, at the flick of a switch, without all of the fuss and mess you would normally associate with lighting a wood fire.

These two models have been tested by Warnock Heresy to the national standards of the Canadian and American Gas Associations for both safety and efficiency. Reverso have a proud tradition of making good quality wood stoves and fireplace products, so as this product also bears our own mark, it promises to provide you with the economy of a gas flame, and the comfort of a supplementary heating system, properly sized for your needs.

Please take a moment now to acquaint yourself with these instructions and the many features of your new REVERSO "SUPREME" gas fireplace.

GENERAL INFORMATION

All "REVERSO" gas-fired appliances must be installed in accordance with these instructions. Carefully read all of the instructions in this manual first. Consult the building authority having jurisdiction to determine the need for a permit prior to commencing the installation.

NOTE: Failure to follow these instructions could cause a malfunction of the fireplace which could result in death, serious bodily injury, and/or property damage. Failure to follow these instructions may also void your fire insurance and/or warranty.

FOR YOUR SAFETY

Follow these instructions, local codes and information in CAN / CGA B 149 (1 or .2) Installation Codes for Gas Burning Appliances and Equipment (in Canada) or (in the U. S. A.) follow local codes and/or the most current edition of the National Fuel Gas Code ANSI 2223.1.2

FOR SAFE INSTALLATION AND OPERATION OF YOUR "REVERSO" GAS FIREPLACE, PLEASE CAREFULLY READ THE FOLLOWING INFORMATION

INSTALLATION INSTRUCTIONS

This appliance should be inspected annually, at least, by a professional service person. It is important that control compartments, circulating air passages and other components be kept clean and free from excessive lint from carpeting. Make sure the pilot is turned off before attempting to service this appliance.

It is a good practice to have all of your gas appliances inspected annually.

WARNING: This appliance has been designed to operate by drawing dilution air for proper venting and room air for proper heat circulation from the front of the unit. Blocking or modifying the louvers in any way can create hazardous situations, either through poor venting or by overheating. Provisions must be made for the supply of adequate combustion and ventilation air.

Due to high temperatures, the appliance should be located out of high traffic areas and away from furniture and draperies.

Children and adults should be alerted to hazards of high surface temperatures and should stay away to avoid burns or clothing ignition.

Young children should be carefully supervised when they are in the same room as the appliance.

Clothing or other flammable material should not be placed on or near the appliance.

Always connect this gas fireplace to an approved vent system and vent to the outside of the building envelope. Never vent to another room or inside a building.

Make sure that the vent is properly sized and is of adequate height to provide the proper draft.

Inspect the venting system annually for blockage and any signs of deterioration.

To prevent injury do not allow anyone who is unfamiliar with the operation to use the fireplace.

A faint odor and slight smoking will likely be noticed when the fireplace is first used. Open a window until the slight smoking stops.

Any glass removed for servicing must be replaced prior to operating the appliance.

Under no circumstances should this appliance be modified. Parts that have to be removed for servicing must be replaced prior to operating this appliance. Only parts supplied by Reverso should be used in this appliance.

Never use solid fuels such as wood, paper, cardboard, coal, etc., in this appliance.

Always keep the area around these appliances clear of combustible materials, gasoline or other flammable vapors and liquids. These appliances should not be used as a drying rack for clothing or for hanging Christmas stockings or decorations.

SPECIFICATIONS: FOR REVERSO "SUPREME" GAS FIREPLACES

		MODEL
VENTED FIREPLACE INSERT / ROOM HEATERS	(CAN)	RGI-25 N/P
VENTED FREESTANDING GAS ROOM HEATERS	(CAN)	RGF-25 N/P
VENTED DECORATIVE GAS FIREPLACE INSERTS	(USA)	RGI-25 N/P
VENTED DECORATIVE FREESTANDING UNIT	(USA)	RGF-25 N/P

SPECIFICATIONS

The above models have all been certified for use with either Natural or Propane gases, at altitudes from 0 to 4500 ft. (0-1379 M).

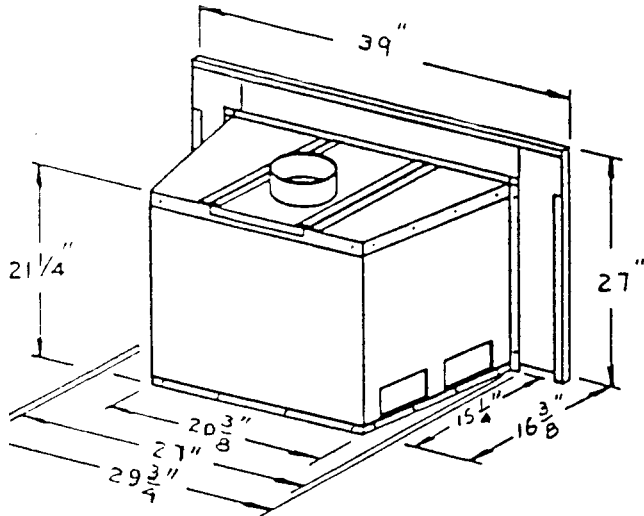
All models are equipped with a variable input gas control for a maximum input rating of 23,000 Btuh.

ORIFICE SIZES:	NATURAL	PROPANE
FRONT BURNER:	#55DMS	#71DMS
REAR BURNER:	#47DMS	#56DMS
Manifold Press:(\"W.C.)	3.5"	10.0"
Min Manifold Press:	1.7"	7.8"
Max Supply Press:	7.0"	13.0"
Min. Supply Press:	4.5"	10.5"
Minimum Input Rate (Btuh)	17,000	20,000

Efficiency:

Natural Gas Fan Off:	70%	Fan On:	76%
Propane Gas Fan Off:	71%	Fan On:	77%

DIMENSIONS



FIREPLACE INSERT

Shipping Weight: 95lbs.

Shipping Weight:

CLEARANCES TO COMBUSTIBLES:

(Freestanding Model)

Sides : 2"

Rear : 2"

Top : 24"

Floor : 0"

Electrical 750 milli-volt system

Circulation fan: 120V / 60 hz - Variable speed fan

NOTE: Operation of the fan increases the heat output of the appliance

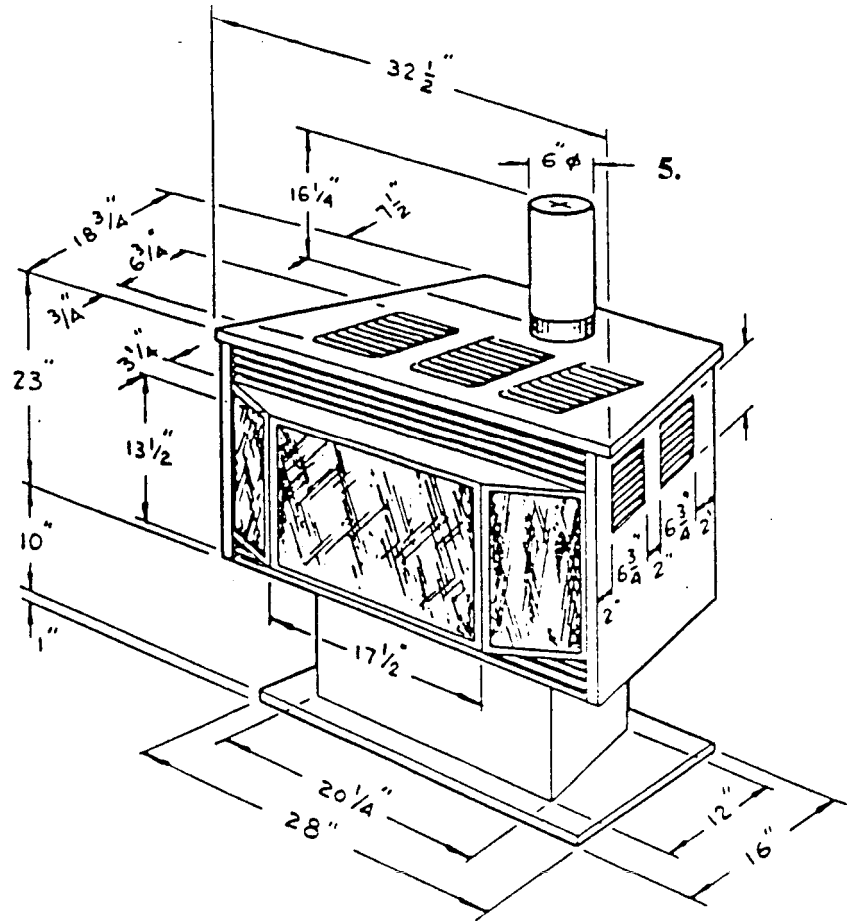
Log Sets: TOP (cross logs) Refractory - two (2) and BOTTOM Ceramic Fiber - two (2)

Vent System 4"

LOCATION

Either of these models (the insert or the freestanding) may be factory equipped with spillage switches and are then approved for bedroom installation.

The freestanding model may be installed on any flat, hard surface combustible or otherwise it can be located within two (2") of any wall, in a corner or out in the center of the room if desired. The insert model, as the name implies is designed to be installed in an existing masonry or factory built fireplace.



FREESTANDING UNIT

125 lbs.

When choosing the ideal location for your freestanding fireplace, keep in mind such factors as doors and windows, room traffic and furniture arrangements. Try to choose a location close to the chimney or B vent system that the unit will be connected to. This simplifies the installation, reduces installation costs and helps to ensure an adequate draft will be present to safely draw away products of combustion

The appliance and vent should be enclosed when installed in or passing through a living area, where children may come in contact with it.

ELECTRICAL REQUIREMENTS

No external electrical power supply is required to operate the REVERSO gas fireplace. This model has a Millivolt gas control which uses the pilot flame to generate enough electricity to operate the main burner whenever the manual switch provided is on.

When connected to 120 volts, the appliance must be grounded in accordance with local codes, with the current version of CSA C22.1 (in Canada) or the National Electrical Code ANSI/NFPA 70.

PREPARATION FOR INSTALLATION

Remove the packaging from the appliance and the logs, open the door and carefully check to make sure there is no damage. In the event damage is found, please report it to both the carrier and your dealer as soon as possible.

Thoroughly clean the location that has been chosen for installation of the REVERSO "SUPREME" fireplace, before moving it into position.

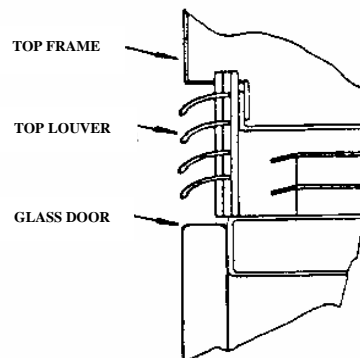
Ensure that it is level before securing to the floor and connecting the gas.

Take a minute to plan out the best routes for the gas lines and the venting system.

GLASS DOOR REMOVAL

The glass panel and the door assembly are not fastened together. When removing these two components care must be taken to hold them together.

1. Remove the top louver assembly by pushing up and pulling out at the bottom, then lowering.
2. Remove the door assembly by first opening the two top tension latches and then lowering the door assembly opening it toward you, while at the same time lifting up.
3. Keep the glass door away from small children



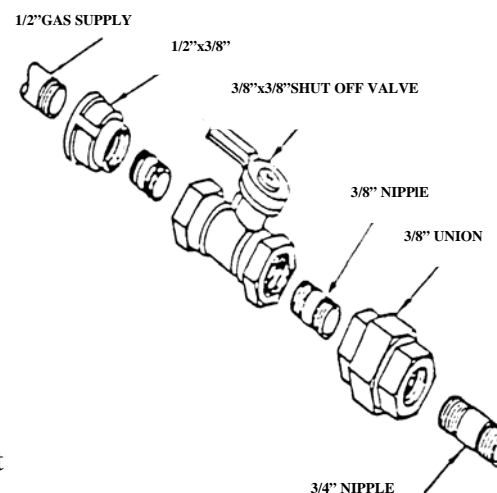
NOTE: This appliance is equipped with Neo Ceram Glass which can only be broken by impact or misuse.

GAS LINE CONNECTION

WARNING: Only persons licensed to work with gas piping may make the necessary gas connections to this appliance.

The appliance is provided with an opening on both sides of the control compartment. A 3/8" gas supply pipe must be brought near this inlet hole, from either the left or right hand side. It is recommended that a union be provided inside or close to the control compartment to facilitate easier servicing.

NOTE The gas line connection may be made using 3/8" copper Tubing or an approved flex connector. Since some municipalities have additional local codes, it is always best to consult your local authorities and the CAN/CGA-B 149 (1 or 2) Installation Code. For U.S.A. gas installations follow either local codes or the current edition of the National Fuel Gas Code ANZI.Z223.1



GAS PIPE TESTING

The appliance and its shutoff valves must be disconnected from the gas supply piping system during any pressure testing where the pressure exceeds 1/2 PIG (3.45 kpa).

Always check for gas leaks with a soap and water solution, after completing the required pressure test.

NEVER USE AN OPEN FLAME FOR LEAK TESTING.

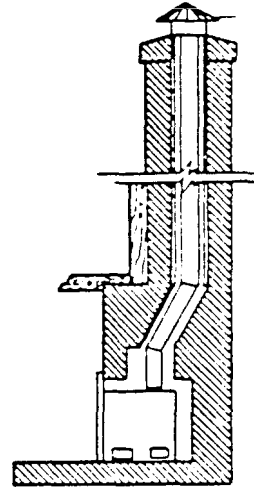
When using copper or flex connectors use only fittings approved for gas connections.

VENTING FIREPLACE INSERT MODELS

THE APPLIANCE MUST NOT BE CONNECTED TO A CHIMNEY FLUE SERVING A SEPARATE SOLID FUEL BURNING APPLIANCE. THIS GAS APPLIANCE MUST HAVE IT'S OWN VENT. DO NOT LINK IT IN ANY WAY WITH ANY OTHER FUEL BURNING APPLIANCE.

The REVERSO insert may be installed and vented into any solid fuel fireplace that has been installed in accordance with the National, Provincial and local building codes and has been constructed of noncombustible materials.

An approved 4" chimney liner with an approved rain cap must be installed, to assure top performance, safety and efficiency. Carefully follow the chimney liner manufacturers instructions which accompany the kit.



Measure the height of the chimney beforehand and purchase the appropriate kit
Never attempt to over stretch a flexible liner to accommodate the height of the chimney.

Any flue damper must be removed or blocked permanently in the open position

The chimney must be clean, in good working order and constructed out of non combustible materials.

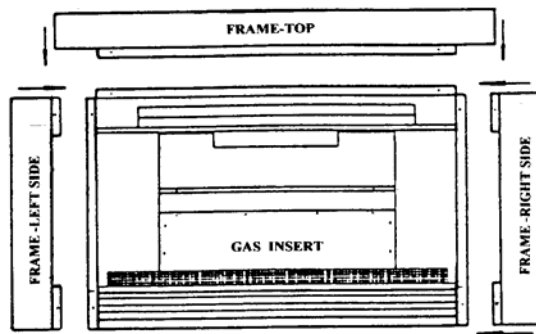
Make sure that all chimney cleanouts are tightly fitting and will not permit air to leak into the chimney.

Remove the flue collar plate from the top of the insert and connect it securely with at least three sheet metal screws and a 4" hose clamp. Check for any tears in the liner at this point.

Install the insert without the trim frame and slide the flue collar plate back into position.

IMPORTANT: Replace the screw which holds this collar plate in it's approved position.

Install the decorative trim frame as shown below:



AUTOMATIC FLUE GAS SPILLAGE SWITCH

NOTE: AS REQUIRED FOR BEDROOM INSTALLATIONS, THIS APPLIANCE MAY BE EQUIPPED WITH AN AUTOMATIC SPILLAGE SWITCH, IF ACTIVATED, WILL NOT PERMIT THE APPLIANCE TO OPERATE, ACTIVATION OF THIS SWITCH MAY INDICATE A BLOCKAGE IN THE CHIMNEY OR SOME OTHER DANGEROUS CHIMNEY CONDITION.

THIS SAFETY SWITCH MAY BE LOCATED ON THE LEFT HAND SIDE OF THE APPLIANCE AND HAS A MANUAL RESET BUTTON.

DO NOT RESET THIS SWITCH MORE THAN ONCE. IF THE MANUAL RESET BUTTON TRIPS, THE CHIMNEY SHOULD BE INSPECTED BY A QUALIFIED SERVICE TECHNICIAN FOR POSSIBLE BLOCKAGE.

CONNECTION OF THE SPILLAGE SWITCH

The decorative trim frame on the left hand side may have a spillage switch installed on it. Ensure the wiring to this switch is properly routed through the clips provided in the optional spillage switch kit.

Route the capillary sensor tube through the three clips provided in the optional spillage switch kit behind the top louvers and directly above the draft hood relief opening. Follow the instructions provided with the spillage switch kit exactly.

For the SIT gas control, these wires must be connected to the quick connect fittings provided between the thermocouple and the gas valve.

For the Robertshaw control, the wiring for this spillage switch must be made between the thermopile on the gas valve and the switch

In the event of excessive spillage resulting from a blockage in the chimney, this switch will open the safety circuit to the gas valve and shut down gas flow to the appliance.

VENTING FREESTANDING MODEL

This appliance is designed to be attached to a 4" diameter type B-Vent. The flue collar of the appliance will fit inside a standard vent and may be fastened directly to the vent by three sheet metal screws or a B-Vent, C to B adapter.

B-Vent chimneys require a 1" clearance to combustibles the installation must not exceed a maximum horizontal run of 4' (feet) or a minimum rise of 6' (feet)

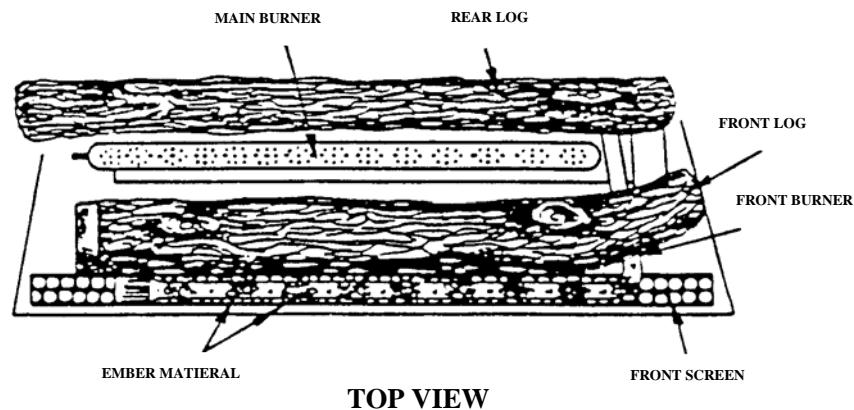
The REVERSO incorporates its own internal draft hood, so no additional external draft hood is required.

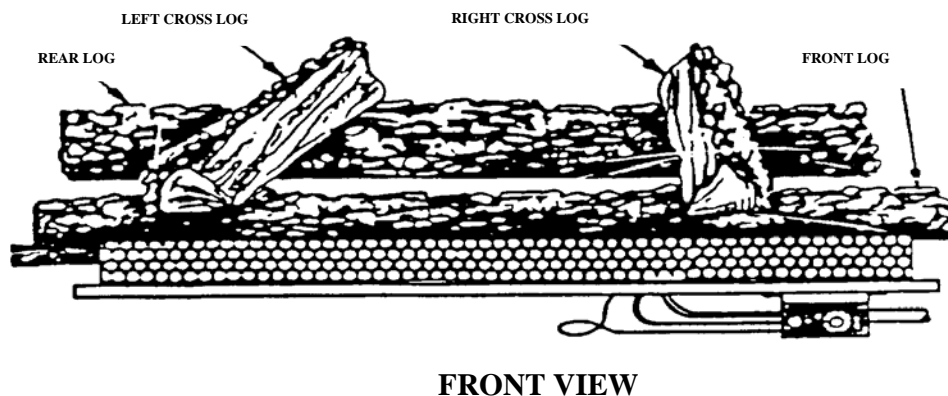
For the freestanding model, locate the center point where the vent will pass through the ceiling above the appliance.

Check periodically that the vent is unrestricted and an adequate draft is present when the unit is in operation. **NOTE: THIS APPLIANCE HAS AN OPTIONAL AUTOMATIC FLUE GAS SPILLAGE SWITCH DETECTION DEVICE AVAILABLE FOR BEDROOM INSTALLATIONS.**

INSTALLATION OF LOG SET

The log set for the Reverso product is shipped in a separate carton Check to ensure there is no damage to any of the four (4) logs. It is very important to install these logs in their proper position to insure safe operating conditions. (See log placement diagram below):





WARNING: Dangerous operating conditions may occur if these logs are not positioned in their CGA certified locations.

- 1 Remove the glass front.
- 2 Remove logs carefully from the carton.
- 3 Place rear fiber log which has two flat grooves on top and position on rear log holder.
- 4 Place front fiber log on front log holders. The front bottom edge of this log should be pulled forward against the front bracket.
- 5 Place the two refractory cross logs on the flat marks provided and according to the diagram shown above. Right and left cross logs should be exactly as shown in the diagram.

PLACING THE GLOWING EMBERS

CAUTION Use only the amount and type of ember material supplied with this appliance. The use of other foreign material on the burners can create dangerous conditions.

If over time, through cleaning and servicing, these embers require replacement, contact your nearest **REVERSO** dealer for an approved replacement embers kit.

- 1 Gently remove the ember material from the plastic bag.
- 2 Separate the embers into approximately thin dime size pieces.
- 3 Carefully spread these small pieces evenly across the top of the front burner, avoiding any clumping or large build ups.

- 4 Do not pack down on top of the burner, leave them fluffy and loosely layered up against the face of the front log.
- 5 Do not place embers on the rear burner.**
- 6 Upon the first light up, watch for smooth and fast ignition to all burner ports. If a long delay is noted:
 - a) Turn off the gas valve.
 - b) First, wait for the appliance to cool down.
 - c) Open the front door of the appliance.
 - d) Carefully reposition the embers at the point of the delay.
 - e) Check to ensure that no burner ports are plugged solid.

CAUTION NEVER OPERATE THIS APPLIANCE WITH THE DOOR REMOVED.

REFER TO PAGES 10 & 11 FOR REFERENCE POINTS CONCERNING PROPER PLACEMENT OF THE EMBERS.

CARE OF YOUR DOOR KIT

STOP! ALLOW THE APPLIANCE TO COOL DOWN FROM RECENT USE BEFORE PROCEEDING TO CLEAN THE GLASS.

It will be necessary to clean the glass periodically. During a cold start up condensation will sometimes form on the glass, this is a normal condition with all gas fireplaces and stoves. However, sometimes this condensation can allow dust and lint to cling to the glass surface. Also, sometimes initial paint curing of the appliance can leave behind a slight film on the glass. This is a temporary problem.

It is therefore recommended that the glass be cleaned initially after about the first two weeks of use.

After that, depending upon the amount of use, cleaning should be required no more than two or three times per season. To clean the door, use a mild cleaner (i.e. Windex, Fantastic) and a soft cloth. Abrasive cleaners will damage the protective coating.

The **REVERSO "SUPREME"** has been designed for easy cleaning and incorporates a door latching mechanism which does not require tools for opening. Simply lift out the louver assembly, unlatch the two catches on top and open the door. Be sure to grasp both the glass and the frame firmly together as the glass is not mechanically fastened to the frame.

LIGHTING AND RELIGHTING INSTRUCTIONS (Robertshaw Control)

IMPORTANT: GAS COCK KNOB CANNOT BE TURNED FROM "PILOT" TO "OFF" UNLESS THE KNOB IS PARTIALLY DEPRESSED.

- 1 Turn OFF burner "ON / OFF" switch (mounted on the wall).
- 2 Turn gas control knob so indicator points to "OFF" position and allow 5 minutes for any gas in the combustion chamber to escape.
- 3 Turn gas control knob counterclockwise so indicator points to the "PILOT" position
Depress fully the gas control knob and while continuing to hold the knob down, push the ignitor button several times, or until the pilot lights.

After approximately 1(one) minute, release the gas control knob The pilot flame should remain lit. If it does not remain lit, repeat this operation and allow a longer period before releasing the gas control knob.

- 4 When the pilot has been ignited, turn the gas control knob further counterclockwise to the "ON" position
- 5 Turn the "ON / OFF" switch to "ON" and the burner should ignite

NOTE If the burner does not ignite and the pilot is still lit, turn the gas control knob to "OFF" and call a qualified service representative.

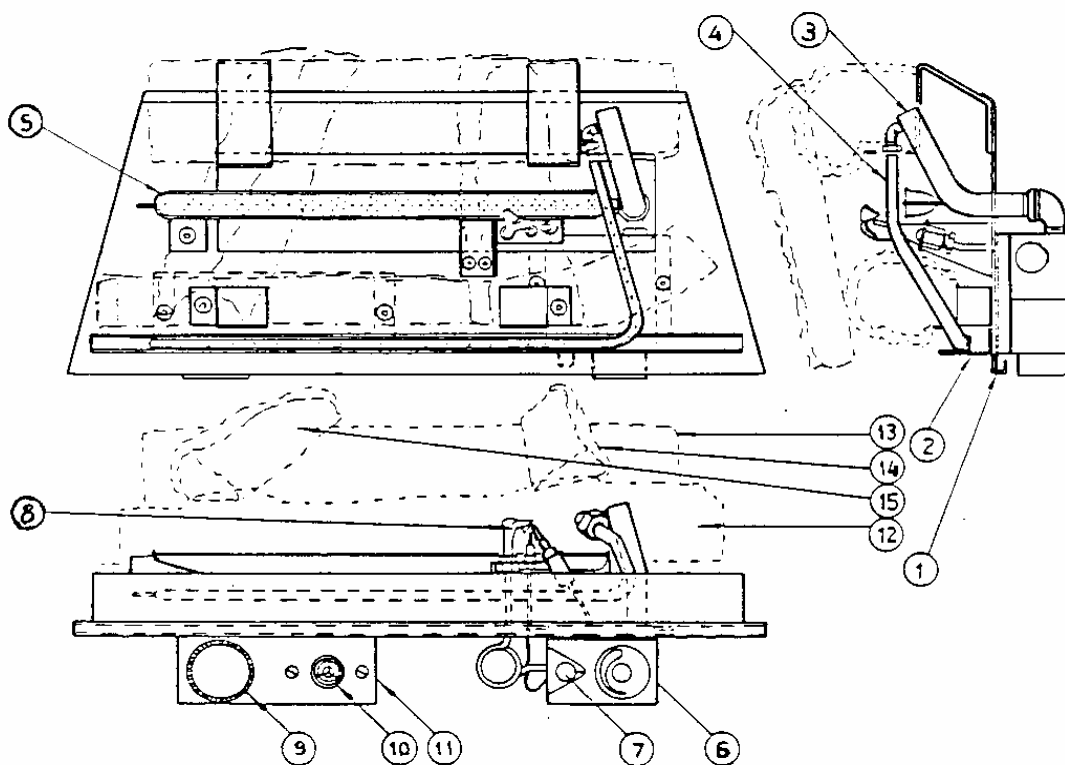
SHUT DOWN INSTRUCTIONS

- 1 Turn wall on / off switch to "**OFF**"
(or turn down thermostat if one is used)
- 2 Turn the gas control knob to the "**OFF**" position.

WARNING:

Improper installation, adjustment, alteration, servicing or maintenance can result in personal injury and property damage. Always refer to this manual for normal maintenance requirements. For further assistance or additional information consult a qualified gas installer, your Reverse "SUPREME" dealer or your local gas supplier.

This appliance must not be operated if it or the gas controls have been under water. Contact a qualified gas technician for service before attempting to operate.



1. BURNER'S TRAY
3. MANIFOLD
5. MAIN BURNER
7. IGNITER
9. FAN-VARIABLE SPEED CONTROL
11. CONTROL BOX ASS'Y
13. REAR LOG
15. LEFT-CROSS LOG

2. FRONT SCREEN
4. FRONT BURNER
6. GAS VALVE
8. PILOT AND ELECTRODE ASS'Y
10. ULTRASONIC REMOTE CONTROL RECEIVER
12. FRONT LOG
14. RIGHT-CROSS LOG

LIGHTING INSTRUCTIONS

FOR YOUR SAFETY READ BEFORE OPERATING

**WARNING: IF YOU DO NOT FOLLOW THESE INSTRUCTIONS EXACTLY,
A FIRE OR EXPLOSION MAY RESULT CAUSING PROPERTY DAMAGE,
PERSONAL INJURY OR LOSS OF LIFE.**

- A. THIS APPLIANCE IS EQUIPPED WITH A PILOT WHICH MUST BE LIT FOLLOWING THESE INSTRUCTIONS EXACTLY.
B. BEFORE OPERATING SMELL ALL AROUND THE APPLIANCE AREA FOR GAS AND NEXT TO THE FLOOR BECAUSE SOME GAS IS HEAVIER THAN AIR AND WILL SETTLE ON THE FLOOR.

WHAT TO DO IF YOU SMELL GAS

- TURN OFF ALL GAS TO THE APPLIANCE.
 - OPEN WINDOWS.
 - DO NOT TRY TO LIGHT ANY OTHER APPLIANCE.
 - DO NOT TOUCH ANY ELECTRIC SWITCH; DO NOT USE ANY PHONE IN YOUR BUILDING.
 - IMMEDIATELY CALL YOUR GAS SUPPLIER FROM A NEIGHBOUR'S PHONE. FOLLOW THE GAS SUPPLIER'S INSTRUCTIONS.
 - IF YOU CANNOT REACH YOUR GAS SUPPLIER CALL THE FIRE DEPARTMENT.
- C. USE ONLY YOUR HAND TO TURN THE GAS CONTROL KNOB. NEVER USE TOOLS. IF THE KNOB WILL NOT PUSH IN OR TURN BY HAND. DO NOT TRY TO REPAIR IT. CALL A QUALIFIED SERVICE TECHNICIAN. FORCE OR ATTEMPTED REPAIR MAY RESULT.

IN A FIRE OR EXPLOSION.

- D. DO NOT USE THIS APPLIANCE IF ANY PART HAS BEEN UNDER WATER IMMEDIATELY CALL A QUALIFIED SERVICE TECHNICIAN TO INSPECT THE APPLIANCE AND REPLACE ANY PART OF THE CONTROL SYSTEM AND ANY GAS CONTROL WHICH HAS BEEN UNDER WATER.

LIGHTING AND RELIGHTING INSTRUCTIONS

STD VALVE WITH IGNITOR

- WARNING:** THE GAS VALVE HAS AN INTERLOCK DEVICE WHICH WILL NOT ALLOW THE PILOT BURNER TO BE LIT UNTIL THE THERMOCOUPLE HAS COOLED. ALLOW APPROXIMATELY 60 SECONDS FOR THERMOCOUPLE TO COOL.
1. **STOP:** READ THE ABOVE SAFETY INFORMATION ON THIS LABEL.
 2. TURN OFF ALL ELECTRIC POWER TO THE APPLIANCE.
 3. TURN GAS KNOB CLOCKWISE TO OFF.
 4. WAIT FIVE (5) MINUTES TO CLEAR OUT ANY GAS. IF YOU SMELL GAS INCLUDING NEAR THE FLOOR. STOP ! FOLLOW "B" IN THE ABOVE SAFETY INFORMATION ON THIS LABEL. IF YOU DON'T SMELL GAS TO THE NEXT STEP.
 5. FIND PILOT LOCATED IN FRONT OF THE BURNER.
 6. TURN GAS KNOB COUNTER-CLOCKWISE TO PILOT.
 7. DEPRESS AND HOLD GAS KNOB WHILE LIGHTING THE PILOT WITH THE PUSH BUTTON IGNITOR. KEEP KNOB FULLY DEPRESSED FOR ONE MINUTE, THEN RELEASE. IF PILOT DOES NOT CONTINUE TO BURN REPEAT STEPS 3 THROUGH 6.
 8. WITH PILOT LIT TURN GAS KNOB COUNTER-CLOCKWISE TO DESIRED TEMPERATURE SETTING.
 9. TURN ON ALL ELECTRIC POWER TO THE APPLIANCE.

MILLIVOLT VALVE

- IMPORTANT:** GAS VALVE KNOB CANNOT BE TURNED FROM "PILOT" TO "OFF" UNLESS THE KNOB IS PARTIALLY DEPRESSED.
1. TURN OFF BURNER "ON/OFF" SWITCH (MOUNTED ON THE WALL).
 2. TURN GAS CONTROL KNOB SO INDICATOR POINTS TO "OFF" POSITION AND ALLOW 5 MINUTES FOR ANY GAS IN THE COMBUSTION CHAMBER TO ESCAPE.
 3. TURN GAS CONTROL KNOB COUNTER-CLOCKWISE SO INDICATOR POINTS TO THE "PILOT" POSITION. DEPRESS FULLY THE GAS CONTROL KNOB AND WHILE CONTINUING TO HOLD THE KNOB DOWN PUSH THE IGNITOR BUTTON SEVERAL TIMES, OR UNTIL THE PILOT LIGHTS.

- AFTER APPROXIMATELY ONE (1) MINUTE RELEASE THE GAS CONTROL KNOB. THE PILOT FLAME SHOULD REMAIN LIT. IT DOES NOT REMAIN LIT, REPEAT THIS OPERATION AND ALLOW A LONGER PERIOD BEFORE RELEASING THE GAS CONTROL KNOB.
4. WHEN THE PILOT HAS BEEN IGNITED, TURN THE GAS CONTROL KNOB FURTHER COUNTER-CLOCKWISE TO THE "ON" POSITION.

5. TURN THE "ON/OFF" SWITCH TO "ON" AND THE BURNER SHOULD IGNITE.

NOTE: IF THE BURNER DOES NOT IGNITE AND THE PILOT IS STILL LIT, TURN THE GAS CONTROL KNOB TO "OFF" AND CALL A QUALIFIED SERVICE REPRESENTATIVE.

SHUT DOWN INSTRUCTIONS

1. TURN WALL ON/OFF SWITCH TO "OFF" (OR TURN DOWN THERMOSTAT IF ONE IS USED).
2. TURN THE GAS CONTROL KNOB TO THE "OFF" POSITION.

MAINTENANCE

This appliance should be serviced regularly, to ensure continuing safety and efficiency contact a qualified technician at least annually.

For cleaning, turn the gas control knob to the "OFF" position. This will extinguish the pilot flame. Wait at least five (5) minutes before cleaning.

See previous instructions regarding the trim kits and describing how the door assembly is fastened.

Remove the glass door carefully and place in a safe corner until ready for reassemble.

Gently remove the embers and place on a piece of paper towel until ready to replace.

Remove the logs carefully from the combustion chamber and vacuum the burner compartment thoroughly Vacuum any dust on the logs and remove any lint from the main burner and pilot burner.

Make sure the slot below the glass door is free and clear of dust balls or lint as this is where the appliance draws its air for safe combustion.

Before replacing the logs, relight the pilot following the instructions on the attached label, and turn on the main burner.

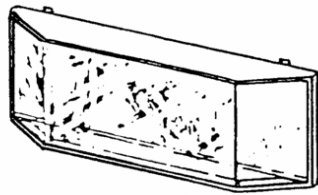
- 1 Check to ensure that all burner ports are lit and burning properly.
- 2 Check to ensure that one branch of the pilot flame is engulfing the thermocouple tip and the other branch is long enough to light the rear main burners.
- 3 Check to ensure that the main burner lights instantly when the on switch is turned on and that the flame carries across to the front burner fairly evenly.

When these checks are complete, shut down the burner and pilot, wait a few minutes for the appliance to cool down, before reinstalling the log set in the precise positions described in the previous instructions.

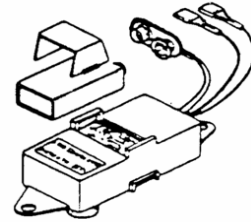
Periodically check to ensure that the vent system is clear and that a negative draft is present when the unit is operating.

REVERSO "SUPREME" FIREPLACE OPTIONS

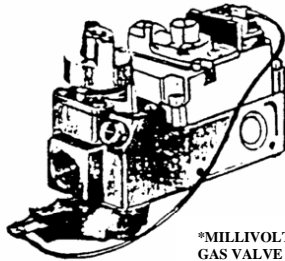
1. Fireflick remote control kit with Robertshaw controls.
2. "SUPREME" bay window door kit.
3. Spillage switch kit for bedroom installations.
4. Choices of trim kits and door finishes.
5. Circulation Fan 125 cfm with variable speed control.



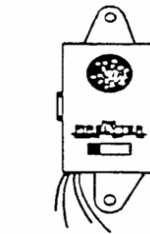
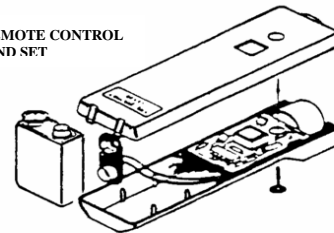
*BAY WINDOW DOOR
WITH 390 sq. in VIEW



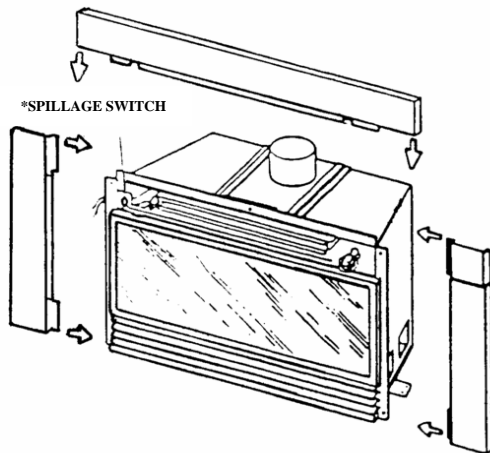
*REMOTE CONTROL
HAND SET



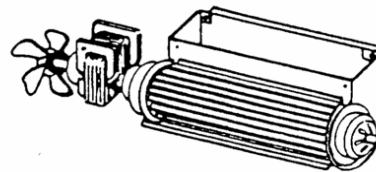
*MILLIVOLT
GAS VALVE



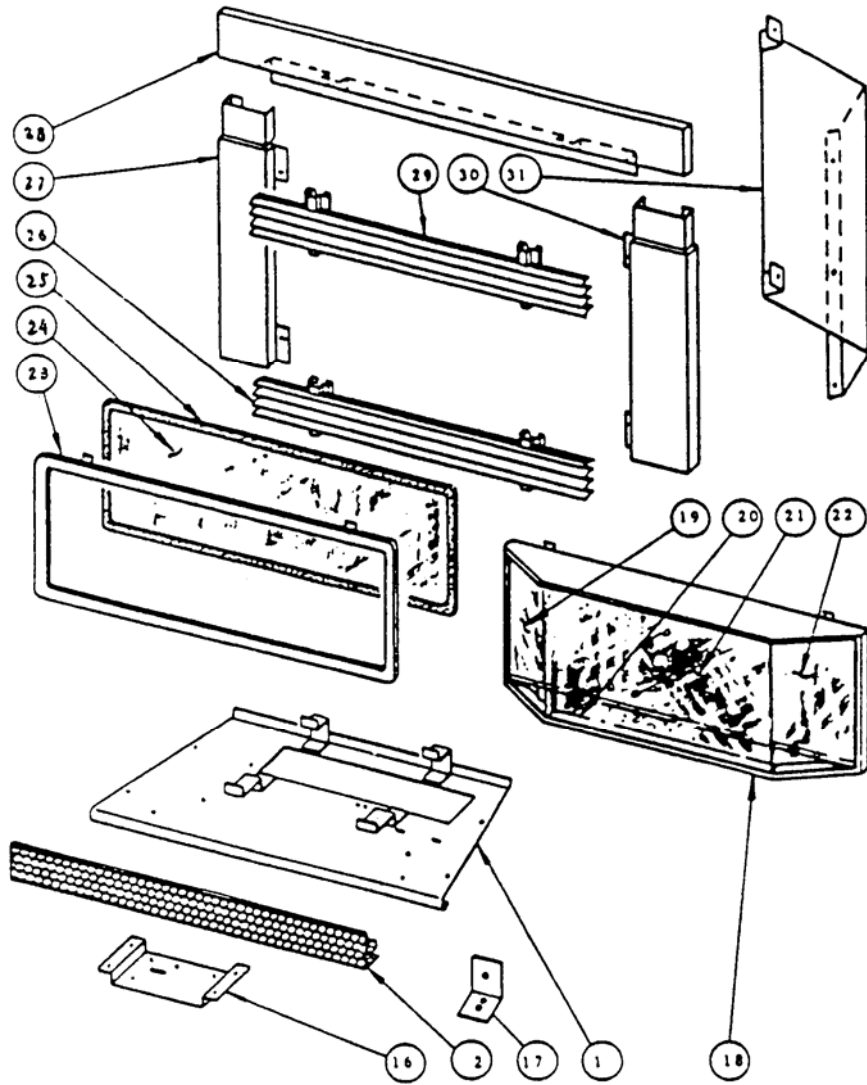
*REMOTE CONTROL BASE



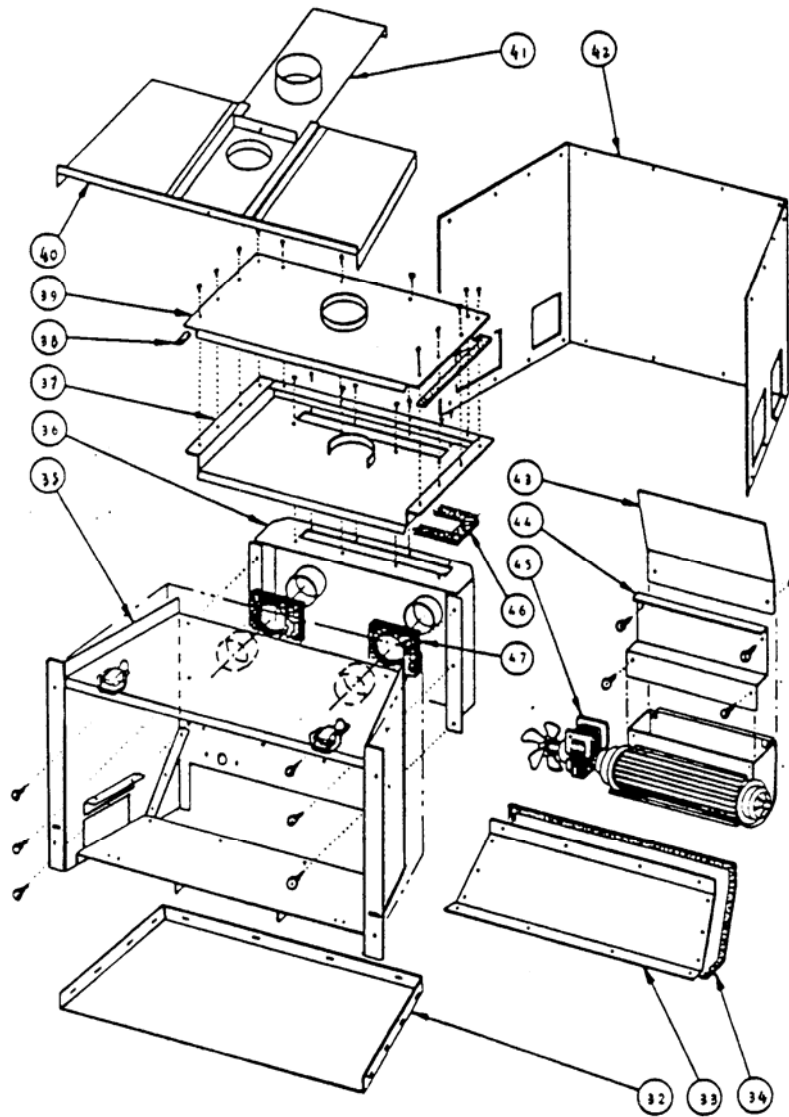
1. SPILLAGE SWITCH LOCATION
2. TRIM KIT COMES WITH 5" WIDE (STANDARD) OR 10" WIDE (OPTION)



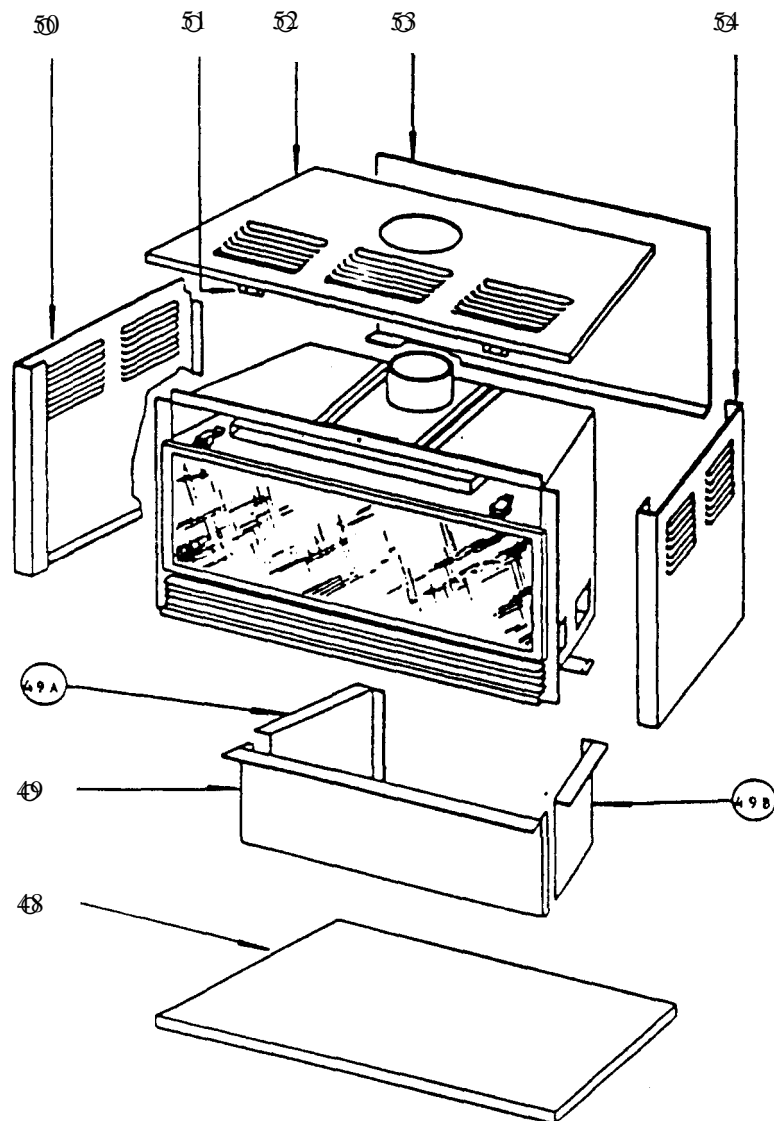
*125 CFM HEAVY DUTY BLOWER



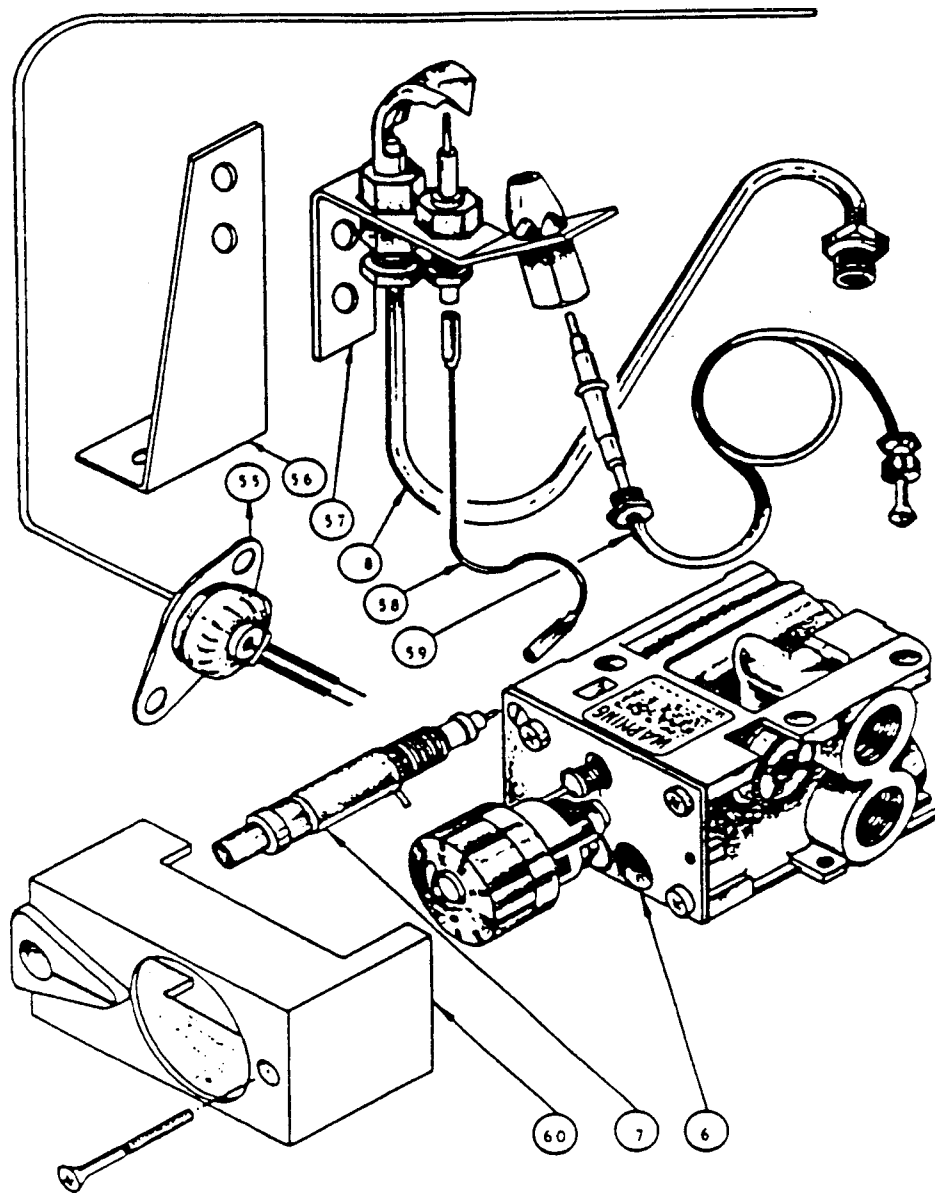
- | | | | |
|----|------------------------------|----|-----------------------------|
| 1 | MAIN TRAY | 26 | BOTTOM LOUVER |
| 2 | FRONT BURNER SCREEN | 27 | TRIM, LEFT HAND SIDE PANEL |
| 16 | GAS VALVE MOUNTING BRACKET | 28 | TRIM, TOP PANEL |
| 17 | MAIN BURNER MOUNTING BRACKET | 29 | TOP LOUVER |
| 18 | BAY WINDOW DOOR BASE PLATE | 30 | TRIM, RIGHT HAND SIDE PANEL |
| 19 | LEFT HAND GLASS PANEL | 31 | HEAT SHIELD BAFFLE |
| 20 | GLASS HOLDING BRACKET | | |
| 21 | CENTRE GLASS PANEL | | |
| 22 | RIGHT HAND GLASS PANEL | | |
| 23 | STANDARD DOOR FRAME | | |
| 25 | GLASS PANEL GASKET | | |



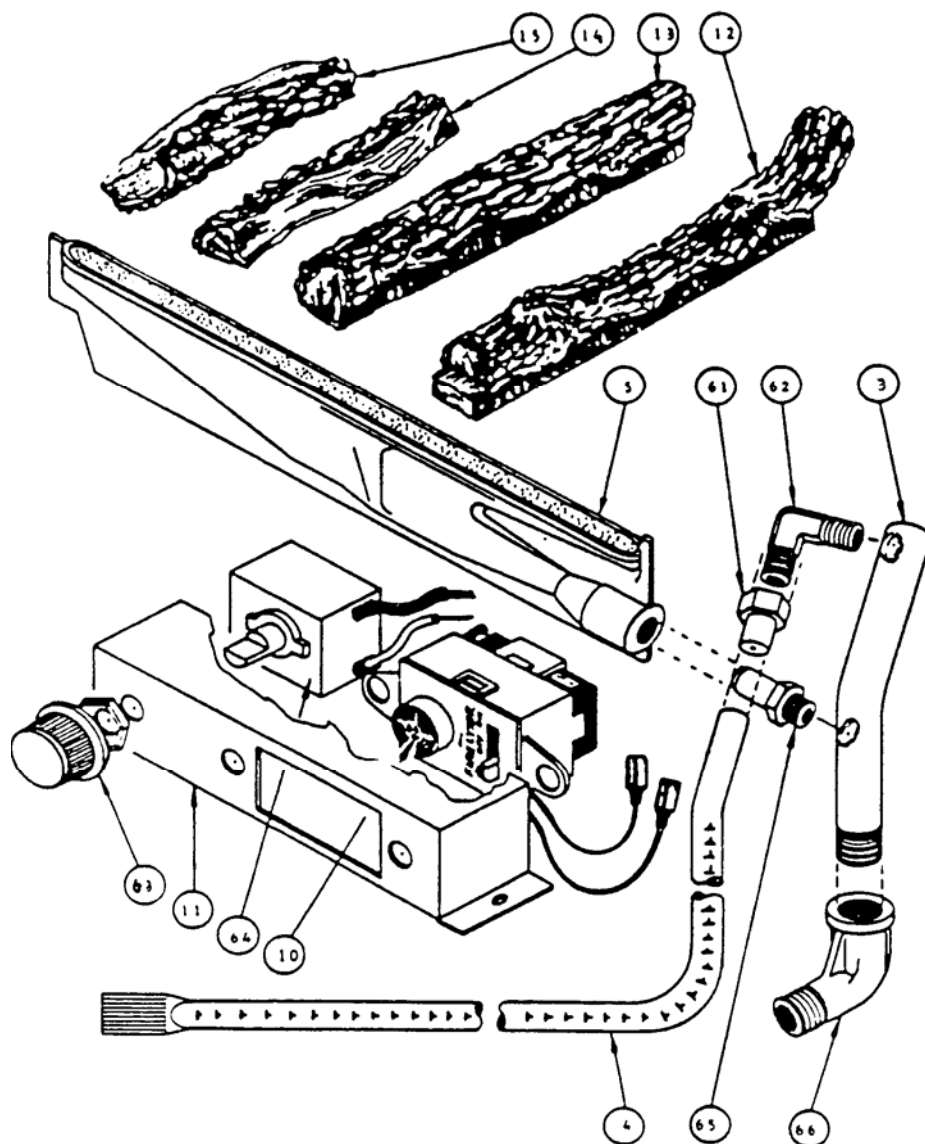
- | | | | |
|----|---------------------------|----|------------------------------|
| 32 | INSERT BOTTOM PANEL | 42 | OUTER SHELL |
| 33 | FAN COVER | 43 | FAN BLOWER SHIELD |
| 34 | FAN COVER GASKET | 44 | FAN BLOWER MOUNTING BRACKET |
| 35 | INSERT MAIN BODY | 45 | FAN BLOWER |
| 36 | HEAT EXCHANGER ASSEMBLY | 46 | HEAT EXCHANGER CENTRE GASKET |
| 37 | HEAT EXCHANGER TOP SHELL | 47 | HEAT EXCHANGER MAIN GASKET |
| 38 | HEAT EXCHANGER TOP GASKET | | |
| 39 | HEAT EXCHANGER TOP COVER | | |
| 40 | HOOD TOP COVER | | |
| 41 | HOOD TOP DRAFT ADJUSTER | | |



- 48 BASE PLATE
- 49 BASE FRAME
- 49A LEFT HAND BASE FRAME SIDE
- 49B RIGHT HAND BASE FRAME SIDE
- 50 LEFT HAND SIDE PANEL
- 51 TOP PANEL MOUNTING BRACKET
- 52 TOP PANEL
- 53 REAR PANEL
- 54 RIGHT HAND SIDE PANEL



- 6 GAS VALVE
- 7 IGNITOR
- 8 .250 - O.D. ALUMINUM TUBE
- 55 SPILLAGE CONTROL
- 56 PILOT MOUNTING BRACKET
- 57 PILOT IGNITOR ASSEMBLY
- 58 IGNITOR LEAD
- 59 THERMOCOUPLE ASSEMBLY
- 60 GAS VALVE COVER



- 3 MANIFOLD
- 4 FRONT BURNER
- 5 MAIN BURNER
- 10 REMOTE CONTROL BASE
- 11 CONTROL BOX
- 12 FRONT LOG
- 13 REAR LOG
- 14 RIGHT HAND CROSS LOG
- 15 LEFT HAND CROSS LOG
- 61 FRONT BURNER ORFICE
- 62 MALE PIPE ELBOW 90°
- 63 VARIABLE SPEED CONTROL KNOB
- 64 VARIABLE SPEED CONTROL
- 65 MAIN BURNER ORFICE
- 66 BLACK STREET 90 - 3/8

FIVE YEAR LIMITED WARRANTY

Reverso Manufacturing Limited warrants to the original purchaser that the "Supreme" gas fireplace models RGI-25 & RGF-25 NG/P will be free from defects in materials and workmanship, under normal use and service, for a period of five (5) years from the date of purchase. This warranty is non-transferable and is made to the original retail purchaser only.

These warranties shall be void and have no effect if the fireplace is not properly installed and/or operated in accordance with the installation/operation instructions manual provided with this product.

WARRANTY LIMITATIONS:

1. During the first year of the limited warranty Reverso Manufacturing Limited will provide replacement for parts found to be defective in workmanship (provided such parts have been subjected to normal conditions of use and service). Such replacement parts shall be provided at no charge and REVERSO will also pay for reasonable labor costs for repair work. All such repairs must be approved by an authorized company official before any work commences. Labor costs to be borne by Reverso must not exceed the retail price of the part replaced.
2. During the second through fifth years of the limited warranty, Reverso Manufacturing Limited will provide replacement parts at no charge, except for those parts listed below. Reverso shall not be responsible for any labor, installation, construction, transportation, or other related costs.

The following parts are only guaranteed for the first year of the warranty: Burner Assembly, Valve, Controls, and Blower Assembly.

This warranty may not be extended by our representatives in any manner whatsoever. This warranty does not apply to components used in conjunction with the installation of this product.

The remedy for damages as the result of any defects in the product which have been warranted herein is limited to replacement parts and does not include any incidental damages or expenses sustained in connection with the product, including damages to property.

FOR U.S.A. ONLY:

Some states do not allow limitations on how long an implied warranty lasts, so the above limitation may not apply to you.

THE REMEDY FOR DAMAGES AS THE RESULT OF ANY DEFECTS IN THE PRODUCT WHICH HAVE BEEN WARRANTED HEREIN IS LIMITED TO REPLACEMENT PARTS AND DOES NOT INCLUDE ANY INCIDENTAL DAMAGES OR EXPENSES SUSTAINED IN CONNECTION WITH THE PRODUCT, INCLUDING DAMAGES TO PROPERTY.

Some states do not allow the exclusion or limitation of incidental or consequential damages, so the above limitation or exclusion may not apply to you. This warranty gives you specific legal rights and you may also have other rights which vary from state to state.