

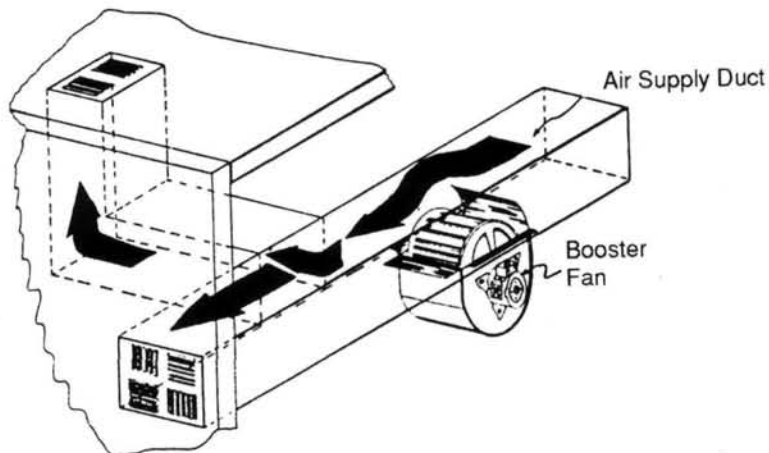
# BF SERIES

**ADDITIONAL BLOWER FOR**  
DIFFICULT TO HEAT ROOMS  
DIFFICULT TO COOL ROOMS

**EASY TO INSTALL INTO**  
ROUND DUCT WORK  
RECTANGULAR DUCT WORK

## BF - 150

**BOOSTER FAN**  
EASY TO INSTALL  
DO IT YOURSELF



APRIL 1991

**Reversomatic Htg. & Mfg. Ltd.**

790 Rowntree Dairy Rd., Woodbridge, Ontario, Canada L4L 5V3 • Phone (905) 851-6701 • Fax: (905) 851-8376

## BOOSTER FAN OPERATION AND INSTALLATION

The Booster Fan has been designed to increase the air flow in air conditioning and heating systems.

Its installation is simple and fast. The Booster Fan must not be installed where the temperature could be over 200F. In general, this temperature will be rarely reached in a warm air system. However, it could exist close to a gravity warm air furnace.

The Booster Fan should be used in secondary ducts for individual rooms. The duct can be round or flat. The minimum size for a round duct should be 5" dia. and 3 1/2" x 5" for a flat duct. The Booster Fan should be installed close to the air outlet.

- 1) Cut a hole of 3 1/2" x 7 3/4" on the duct on any desired side or angle.
- 2) Install the Booster Fan in the hole with the curved plate pointing in the direction of the flow.
- 3) The front flange must go inside the duct and side flange outside. Bend the side flange if necessary and secure the unit with four metal screws.

The Booster Fan can be operated and connected in several ways:

- A. By using an on/off switch and power source of 120V, 60Hz (Fig. 1)
- B. By connecting the Booster Fan in parallel with a

central furnace blower motor. The furnace blower must be 120VAC, 60Hz, and single phase. Do not attempt to install with a 240VAC motor. The ground fault protection for the furnace should be able to protect the booster motor. Do not disturb the wiring of other components except the one for the booster and motor. Wiring from furnace to booster should be 18AWG, and the furnace should be protected for over current. The motor control should be adequate to control motor and Booster Fan (fig 2)

- C. By using a thermostat and a power source of 120V, 60Hz. The thermostat should be on the duct between Booster Fan and furnace; this way when the furnace provides warm air the duct thermostat is turned on and the Booster Fan gets started (FIG 1)

### MAINTENANCE

The booster wheel should be cleaned twice a year preferably before the heating and the cooling seasons. The motor doesn't have to be lubricated.

SECTION "AA"

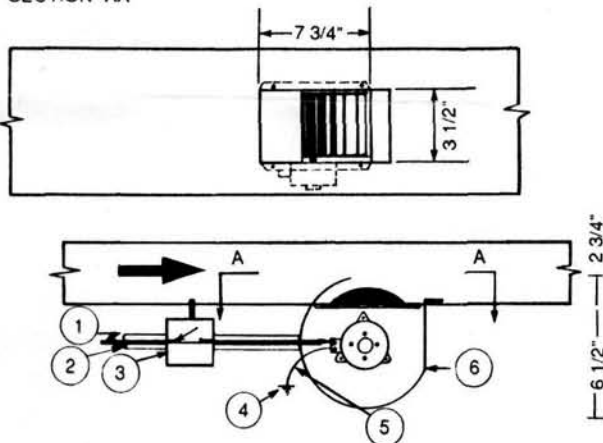


FIGURE 1

- 1.- 120VAC POWER SOURCE
- 2.- CONDUIT
- 3.- THERMOSTAT OR ON/OFF SWITCH
- 4.- GROUND
- 5.- GREEN WIRE
- 6.- BOOSTER FAN
- 7.- FURNACE BLOWER MOTOR
- 8.- SPLICE BOX
- 9.- DUCT

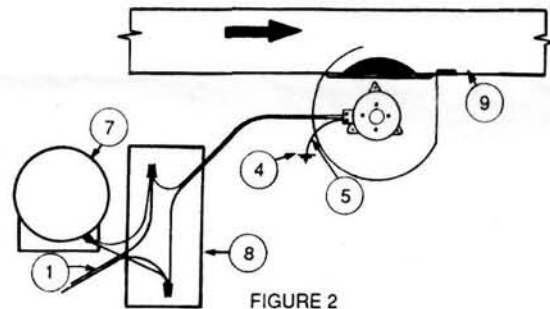


FIGURE 2

CONTRACTOR		FAN DETAIL		
ARCHITECT	JOB	DATE	SUPERSEDES	DRAWING NO.
ENGINEER	DATE SUBMITTED	REVERSOMATIC Heating & Mfg. Ltd. Toronto, Ontario		