

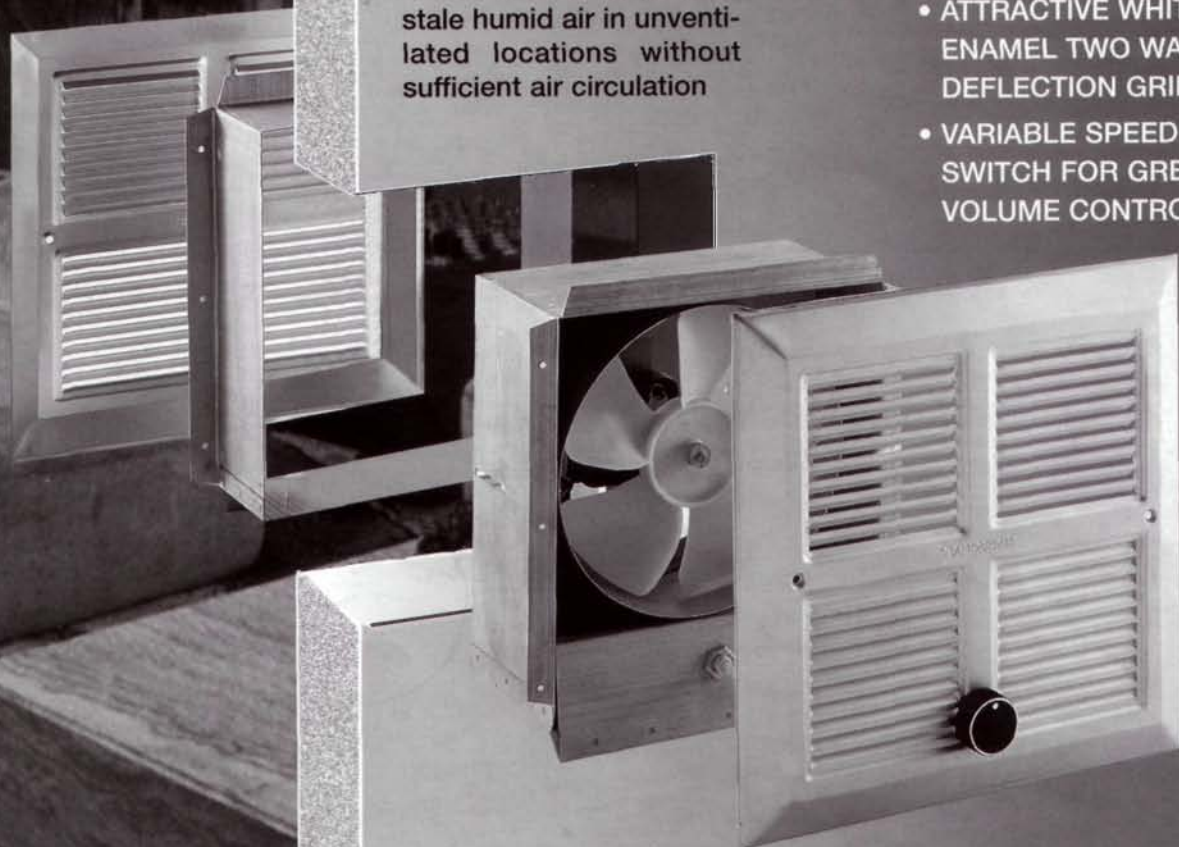


ROOM - TO ROOM IN-WALL TRANSFER FAN

Model HT145

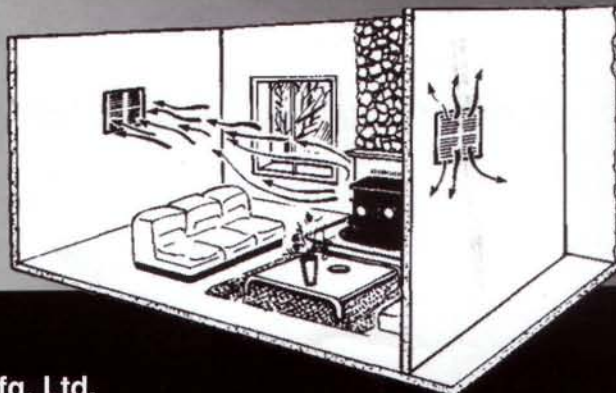
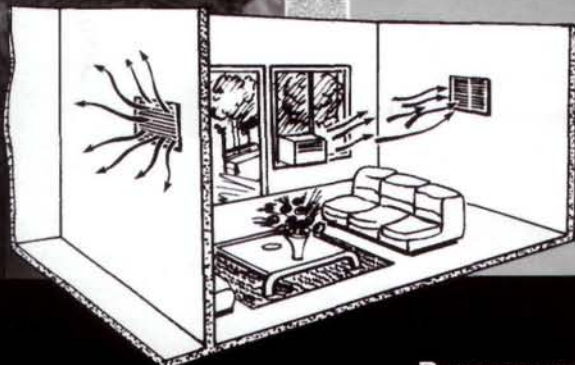
The HT 145 Transfer Fan is designed to transfer air from one room to another. Ideal for transferring hot air in the winter and cool air in the summer or even stale humid air in unventilated locations without sufficient air circulation

- EASY INSTALLATION BETWEEN WALL STUDS OR CEILING JOISTS
- ADJUSTABLE DEPTH TO FIT WALLS 4" TO 5.5" THICK
- ATTRACTIVE WHITE ENAMEL TWO WAY DEFLECTION GRILLS
- VARIABLE SPEED ON-OFF SWITCH FOR GREATER AIR VOLUME CONTROL



THE HT145 CONSERVES ENERGY BY TRANSFERRING HOT OR COLD AIR TO A SECOND ROOM WITHOUT A HEATING OR COOLING SYSTEM

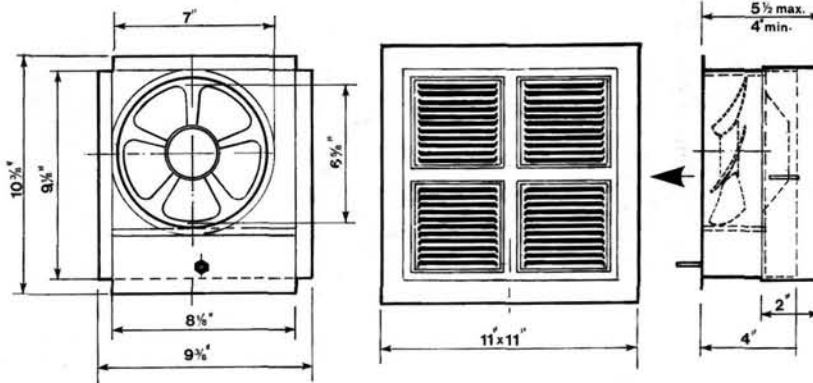
- QUIET OPERATION EVEN AT MAXIMUM SPEED SETTING
- ENERGY EFFICIENT MOTOR
- 145 CUBIC FEET OF AIR AT MAXIMUM SPEED



Reversomatic Mfg. Ltd.

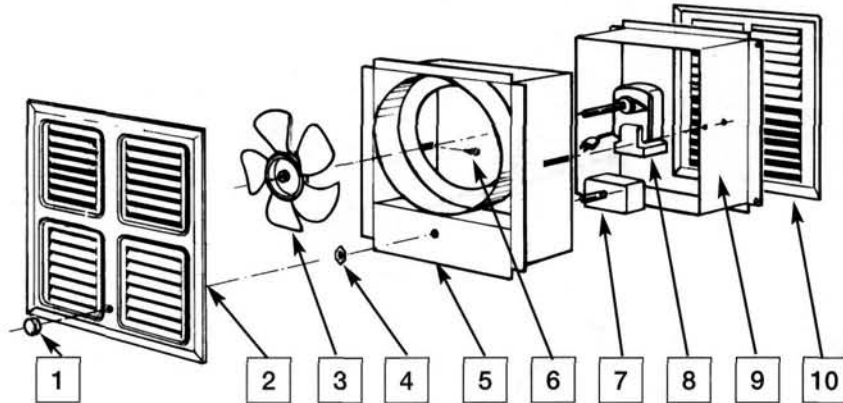
TECHNICAL DATA

The housing is designed for easy installation and incorporates a variable speed control with minimum and maximum settings to obtain 55 to 145 C.F.M. Also included are two attractive white enamel two way deflection grilles.

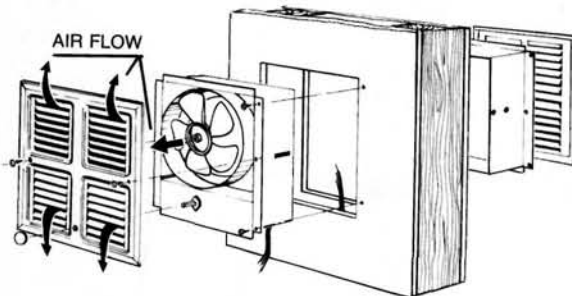


PARTS LIST

1. Speed Control Knob
2. Outlet Grille
3. 6-5/6" Plastic Fan Blade
4. Nut
5. Fan Housing
6. Side Selftaping Screw
7. Speed Control
8. Motor
9. Telescoping Sleeve
10. Inlet grille



INSTALLATION INSTRUCTIONS



Cut a hole in the wall 8.5" x 9" using telescoping sleeve for the cutting in desired area of the wall between studs or ceiling joists.

Please Note: The HT145 FAN can be installed vertically or horizontally. Check air flow on diagram and turn the fan to acquire desired direction of air flow. Run 115/1/60 (normal house current) to the opening. The fan comes complete with an on-off variable speed controller. If the fan is within arms reach a second switch is not necessary.

Install the sleeve only, leaving the grille unattached for the moment. Secure the sleeve with 4 of the screws provided. Remove the electrical cover in the fan and

insert the wire. Use a connector on the outside of the electrical box. Connect the fan leads to the supply wire and replace the electrical cover. Install the HT145 FAN in place, joining the preinstalled sleeve. Once the fan and sleeve are in place, secure the flange of the fan with 4 screws and secure the fan to the sleeve with remaining 2 screws if necessary.

Install both grilles and your HT145 is ready to save you money.

CONTRACTOR		HT145 TRANSFER FAN DETAIL		
ARCHITECT	JOB	DATE	SUPERSEDES	DRAWING NO.
ENGINEER	DATE SUBMITTED	REVERSOMATIC Mfg. Ltd Toronto, Ontario		