

SUPREME GAS

FIREPLACE INSERT - STOVE



Designed
for **EFFICIENCY and
EASY INSTALLATION**



REVERSO MANUFACTURING ^{LTD.}

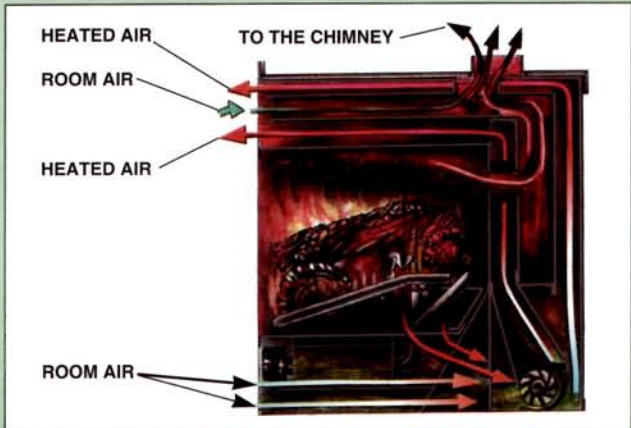
FIREPLACE INSERT - FREE STANDING STOVE

STANDARD FEATURES

- Hi -efficiency Natural Gas or L.P. Burners
- High Temperature Glass
- Safety Shut-off Gas Valve
- Fiber / Ceramic Log
- Radiant Embers
- Heavy Steel Fire Chamber
- Fits into most masonry fireplaces
- Compact design can be easily inserted in most prefab fireplaces
- Insert can be easily converted to freestanding stove by interchangeable parts
- 236 sq. inch view of realistic flame pattern from two burners and glowing embers
- Multi-level flame control
- Hi-efficiency with fan on: Natural Gas - 76%, L.P.G. - 77%

MODELS

- VENTED FIREPLACE INSERT / ROOM HEATERS (CAN) RGI 25N/P
- VENTED FREESTANDING GAS ROOM HEATERS (CAN) RGF25N/P
- VENTED DECORATIVE GAS FIREPLACE INSERTS (USA) RGI 25N/P
- VENTED DECORATIVE FREESTANDING UNIT (USA) RGF25N/P



OPTIONAL FEATURES

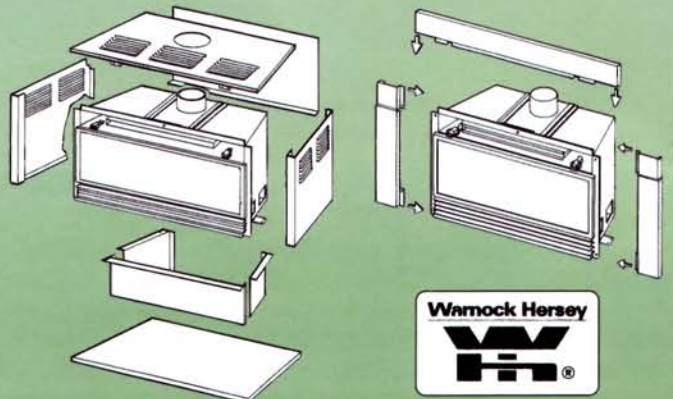
- Hand - held Cordless Remote Control
- Wall Switch Control
- Wall Thermostat
- Bay Windows Gold or Black
- Integrated 125 CFM Blower with Variable Speed Control
- Full decorative trim available in polished or brushed brass

SPECIFICATION

- Burners ratings:
Natural Gas - input 23,000 BTUH, output - 17,5000 BTU
L.P. Gas - input 23,000 BTUH, output - 17,700 BTUH
- Clearance to combustibles: back -2", sides - 1", top - 24"
- Weight: insert - 95lbs, free standing stove - 125lbs.

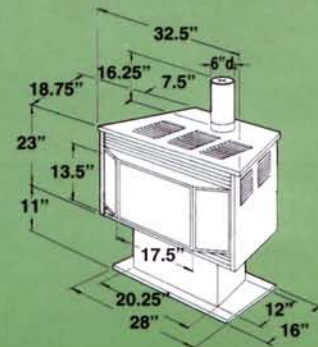
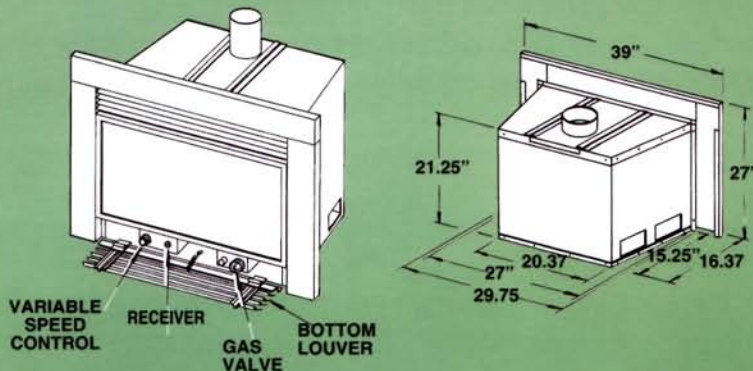
STOVE

INSERT



INSERT DIMENSIONS

STOVE DIMENSIONS



REVERSO MANUFACTURING LTD.

790 ROWNTREE DAIRY ROAD
WOODBRIDGE, ONTARIO, CANADA L4L 5V3
TEL.: (905) 851-6701 FAX: (905) 851-8376

AUTHORIZED DEALER